

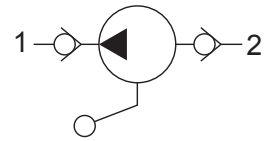


Up to 210 bar - 6.4 cm³/stroke

Operation

The D-DEHPD hand pump when pipe handle is lifted, primes thru port (2) and when pushed provides flow pressure to outlet port (1).

Symbol



Features

- Industry common cavity.
- Large displacement per stroke.

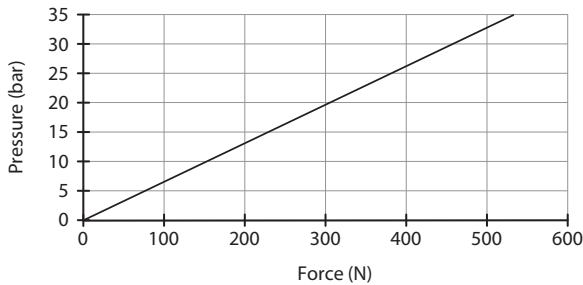


*This product is not intended as a load holding device.
Linkage is not to be removed. 24" handle not supplied.*

Performance

32 cSc / 38°C.

Pump effective area: 284 mm²

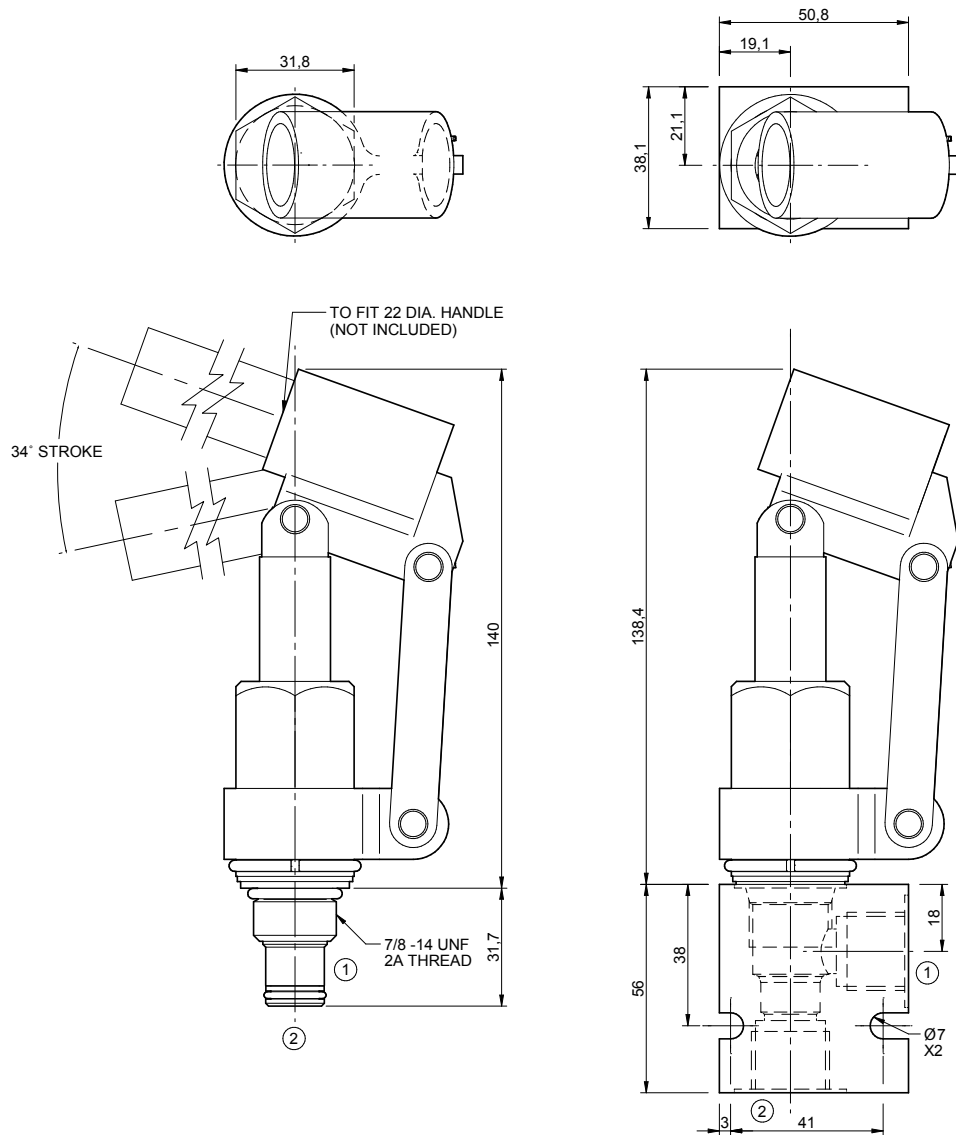


Specifications

Nom. Flow	6.4 cm ³ /stroke
Max. Pressure (bar)	210
Internal Leakage (32 cSt)	2.5 cc/min
Hydraulic Oil	General purpose hydraulic fluid
Viscosity Range	3 to 640 cSt
Filtration	ISO 18/16/13
Operating Temp.	-40 to 120°C
Cartridge Torque	41 Nm
Cavity	DE10-2 (see cavity data page CAV-DE10-2)
Spare Seal Kit (Viton)	SK-DDEVHA
Weight - Valve only	0.69 kg
Weight - Valve + Body	0.92 kg (alum) 1.34 kg (steel)

Dimensions

[mm]



Ordering Code

D-DEHPD

