

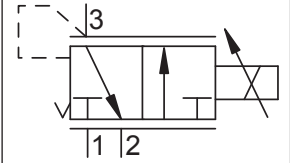
Up to 35 bar - Up to 8 lpm

This is an electro-proportional pressure reducing/relieving valve typically used as 'soft shift' and flow control in 'Power Shift' transmissions and for proportionally piloting larger directional spool valves.

Operation

When de-energised the D-ECPRV allows flow from (3) to (2) and blocks flow at (1). As current is increased, fluid pressure is proportionally controlled at the regulated port 3. On attainment of proportionally determined pressure at 3, the cartridge shifts to block flow at 1, thereby regulating pressure at 3. In this mode, the valve also will relieve 3 to 2 at a variable value over the set reducing pressure.

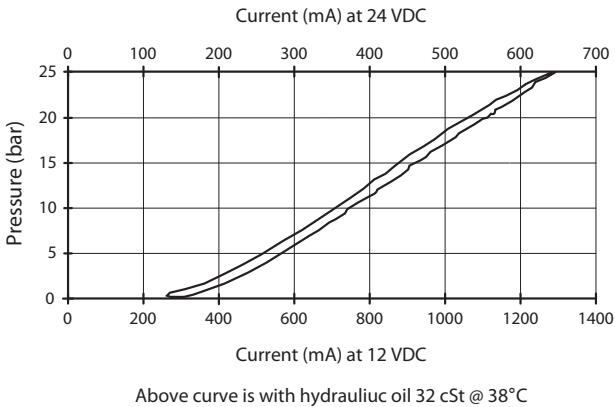
Symbol



Features

- Efficient wet-armature construction.
- Cartridges are voltage interchangeable.
- Industry common cavity.
- Unitised, molded coil design.
- Continuous duty rated solenoid.
- Optional coil voltages and terminations.

Performance.



Other configurations for other pressure ranges available. Consult Factory for electrical signal recommendations. Tank Pressure level above zero is additive to the valves expected reduced pressure value.

Valve Specifications

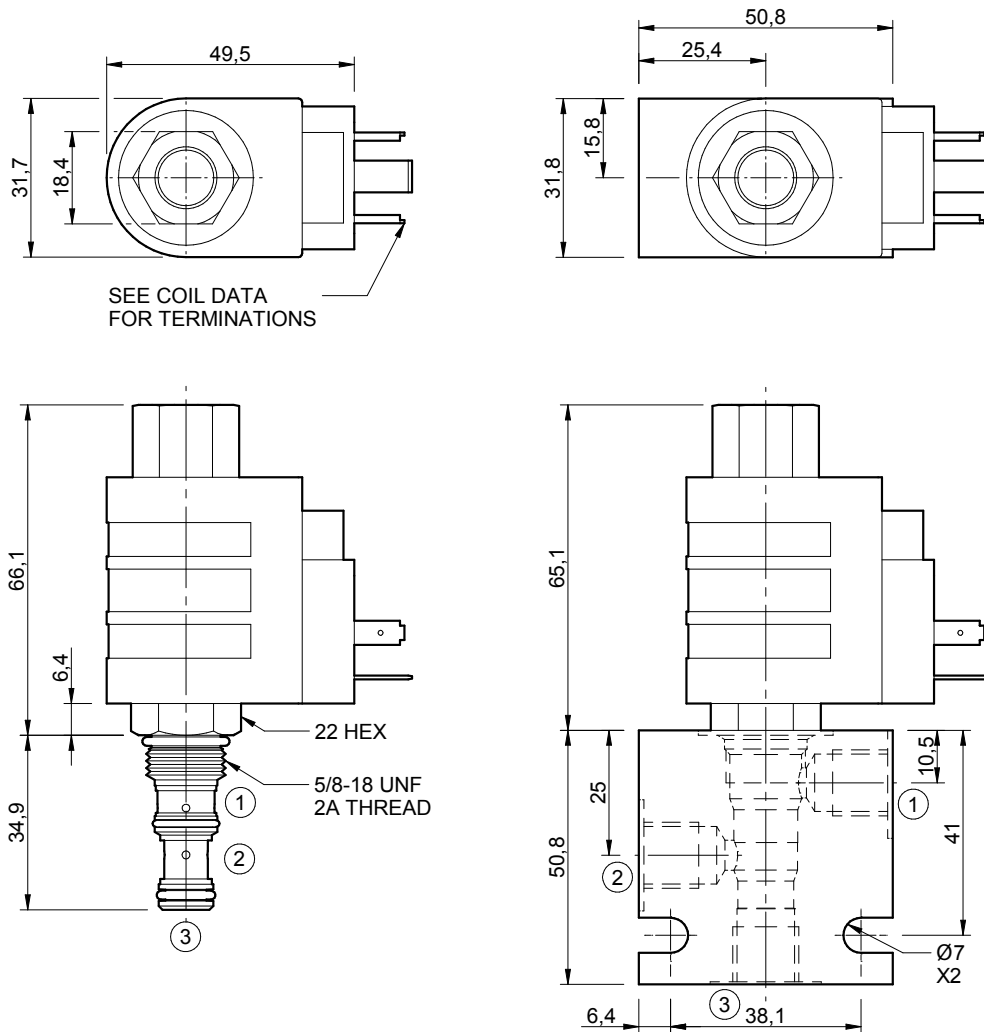
| | |
|---------------------------|--|
| Flow Range (lpm) | 8 |
| Max. Oper. Pressure (bar) | 35 |
| Max. Diff. Pressure (bar) | 21 |
| Typical Hysteresis | 5% |
| Hydraulic Oil | General purpose hydraulic fluid |
| Viscosity Range | 3 to 640 cSt |
| Filtration | ISO 18/16/13 |
| Operating Temp. | -40 to 120°C |
| Cartridge Torque | 20 Nm |
| Coil Nut Torque | 4 - 7 Nm |
| Cavity | MC07-3 (see cavity data page CAV-MC07-3) |
| Spare Seal Kit (Viton) | SK-D-21170098 |
| Weight - Valve only | 0.08 kg |
| Weight - Valve + Body | 0.24 kg (alum) 0.61 kg (steel) |

Coil Specifications

| | |
|---------------------------------------|---|
| Current Supply | PWM (Pulse Width Modulation) |
| Rated Current Range | 200 - 1200 mA (12 Volts) 100 - 600 mA (24 Volts) |
| PWM or Super-imposed Dither Frequency | 100 - 150 Hz |
| Coil Resistance (12 vdc) | 7.5 Ohm +/- 5% at 20°C |
| Coil Resistance (24 vdc) | 30.5 Ohm +/- 5% at 20°C |

Dimensions

[mm]


Ordering Code
D-ECPRV

| Options | Coil termination | Voltage | Port size (BSP) | No. of ports | Body material |
|--|---|---|--------------------------------------|---|----------------------------|
| 00 - Nitrile V0 - Viton A0 - Nitrile, screen W0 - Viton, screen | DL - Double lead DS - Double spade HC - EN 175301-803* CL - Conduit lead 'I' coils (12 & 24 volts only) weather/immersion proof (IP69) IA - AMP superseal ID - Deutsch IJ - AMP Jr. Timer IM - Metripak Options - See page Coil-P Omit if coil is not required | 12 - 12 Vdc 24 - 24 Vdc Options - See page Coil-P | A - 1/4" Options - See page B-DMC | 3 - 3 ports Options - See page B-DMC | A - Aluminium S - Steel |

*Formerly DIN 43650 Hirschmann connector.