

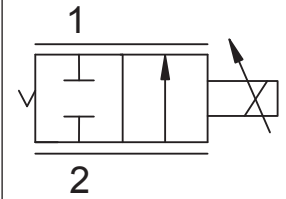
Up to 245 bar - Flow options up to 22/50 lpm

Operation

When de-energised the T-EEP2G blocks flow at ports (1) and (2). When energised, the valve allows flow from (2) to (1). Flow is proportional to the current applied to the coil.

A compensator must be used to create a pressure compensated flow control function.

Manual override options available.

Symbol

Features

- Efficient wet-armature construction.
- Cartridges are voltage interchangeable.
- Manual override options.
- Industry common cavity.
- Unitised, molded coil design.
- Continuous duty rated solenoid.
- Optional coil voltages and terminations.



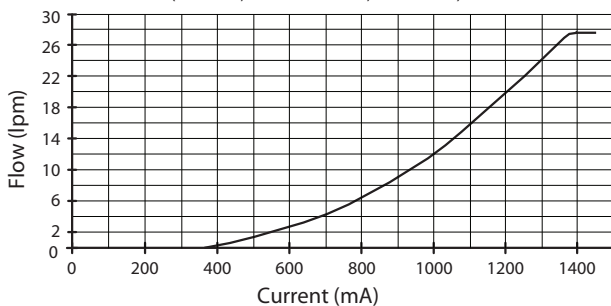
Curves are attained with compensator.

Performance

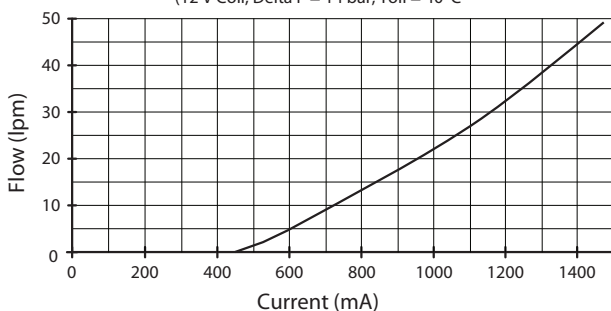
32 cSc / 38°C.

"A" Version

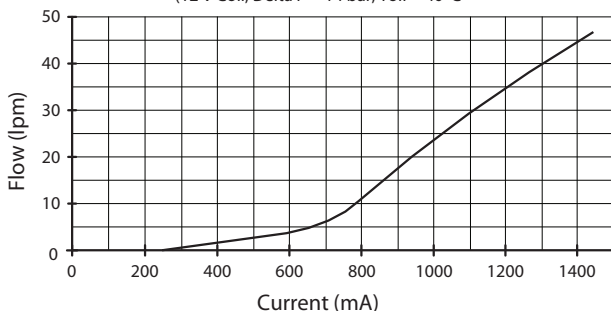
(12 V Coil; Delta P = 14 bar; Toil = 40°C).


"B" Version

(12 V Coil; Delta P = 14 bar; Toil = 40°C)


"C" Version

(12 V Coil; Delta P = 14 bar; Toil = 40°C)


Valve Specifications

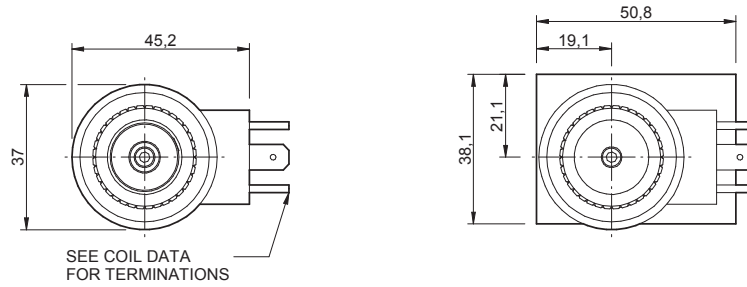
Flow Range (lpm)	see curves for various versions
Max. Pressure (bar)	245
Leakage	max 50 cc/min at 245 bar
Hysteresis	+/- 3%
Hydraulic Oil	General purpose hydraulic fluid
Viscosity Range	3 to 640 cSt
Filtration	ISO 18/16/13
Operating Temp.	-40 to 120°C
Cartridge Torque	35 Nm
Coil Nut Torque	3 - 4 Nm
Cavity	DE10-2 (see cavity data page CAV-DE10-2)
Spare Seal Kit (Viton)	SK-DDEVHA
Weight - Valve only	0.26 kg
Weight - Valve + Body	0.49 kg (alum) 0.91 kg (steel)

Coil Specifications

Current Supply	PWM (Pulse Width Modulation)
Rated Current Range	200 - 1450 mA
PWM or Super-imposed Dither Frequency	100 - 150 Hz
Coil Resistance	7.2 Ohm +/- 5% at 20°C

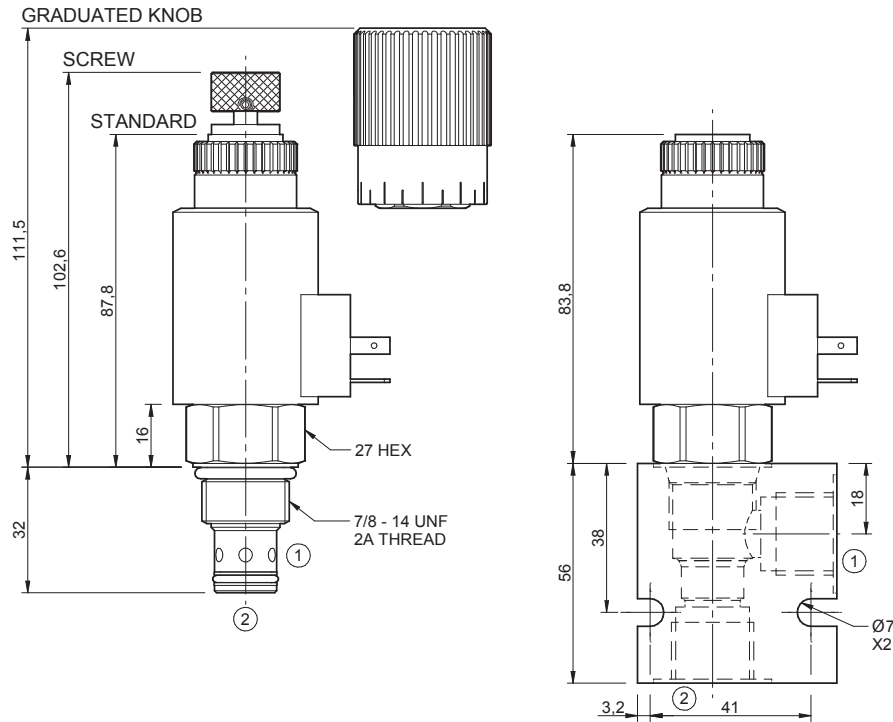
Dimensions

[mm]



To Override

Screw clockwise to close.



Ordering Code

T-EEP2G

Options	Coil termination	Voltage	Port size (BSP)	No. of ports	Body material
Up to 22 lpm	DL - Double lead	12 - 12 Vdc	B - 3/8"	2 - 2 ports	A - Aluminium
AP - Nitrile, push overr.	DI - Deutsch - Integral DT04-2P	24 - 24 Vdc	C - 1/2"	Options - See page B-DDE	S - Steel
AS - Nitrile, screw overr.	HC - EN 175301-803*	Options - See page Coil-F	Options - See page B-DDE		For pressures over 210 bar use steel.
AK - Nitrile, grad. screw overr.	Options - See page Coil-F				
Up to 50 lpm	Omit if coil is not required				
BP - Nitrile, push overr.					
BS - Nitrile, screw overr.					
BK - Nitrile, grad. screw overr.					
Up to 50 lpm					
CP - Nitrile, push overr.					
CS - Nitrile, screw overr.					
CK - Nitrile, grad. screw overr.					

Notes:

1) For other seals, consult factory.

*Formerly DIN 43650 Hirschmann connector.