

Mechanical Directional Control.

Poppet Valve, 2 Way Normally Closed, Push Type - Size 08.

D-PBMCI



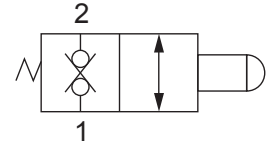
Up to 240 bar - Up to 30 lpm

This normally closed, push-to-open poppet valve is typically used for blocking or load holding circuits. The valve can be manually pushed open with its lever option or opened mechanically by pushing the button on the end of the valve.

Operation

The D-PBMCI blocks flow from (2) to (1) until sufficient force is applied to button to overcome spring bias and load force.

Symbol



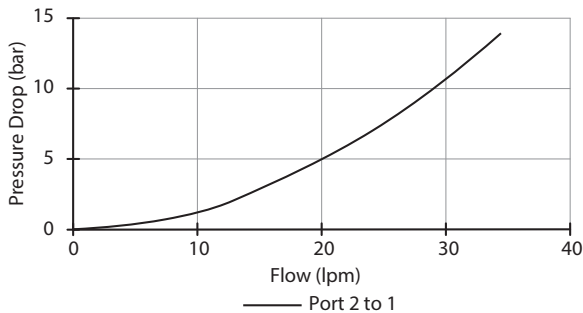
Actuation Force Required	
No Pressure	3.17kg
Side Pressure	3.17kg + (P1 x 0.009)
Nose Pressure	3.17kg + (P1 x 0.076)

Features

- Hardened parts for long life.
- Industry common cavity.

Performance

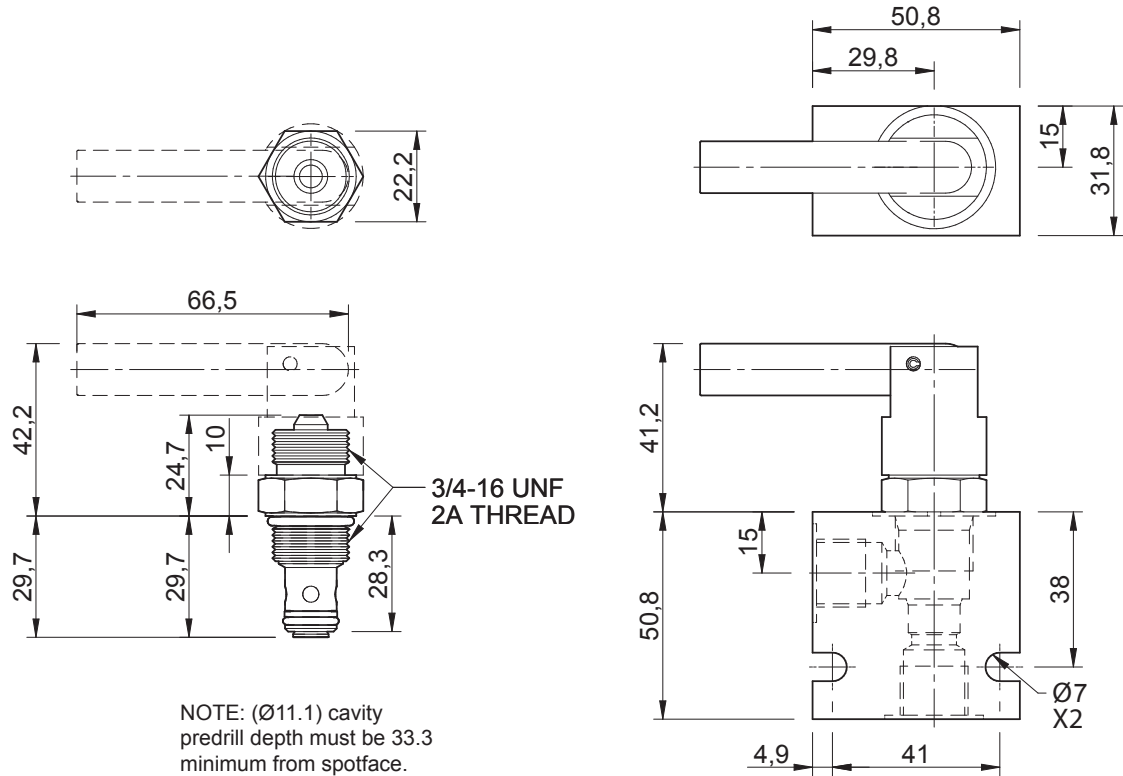
32 cSc / 38°C.



Specifications

Nom. Flow (lpm)	30
Max. Pressure (bar)	240
Internal Leakage (32 cST)	Consult Factory
Hydraulic Oil	General purpose hydraulic oil
Viscosity Range	3 to 640 Cst
Filtration	ISO 18/16/13
Operating Temp.	-40°C to +120°C
Cartridge Torque	34 Nm
Cavity	PB08-2 (see cavity data page CAV-PB08-2)
Spare Seal Kit (Viton)	SK-DPVHD
Weight - Valve only	0.12 kg
Weight - Valve + Body	0.30 kg (alum) 0.63 kg (steel)

Dimensions
 [mm]



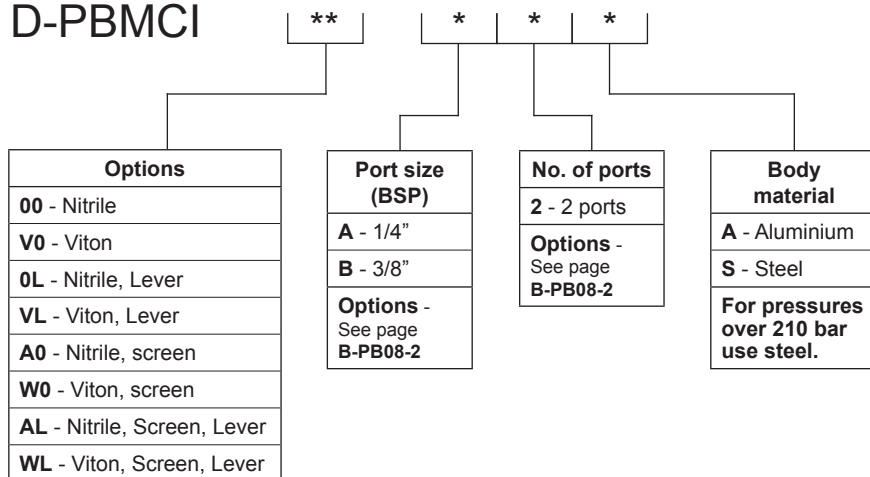
To Override

Pull up lever.

NOTE: (Ø11.1) cavity
 predrill depth must be 33.3
 minimum from spotface.

Ordering Code

D-PBMCI



NOTE: Use screen only if flow direction is from (1) to (2).

*Formerly DIN 43650 Hirschmann connector.