

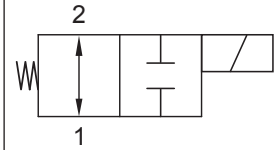


Up to 275 bar - Up to 11 lpm

Operation

This is a solenoid operated 2 way normally open spool valve. In the de-energised position, 1 and 2 are connected. When energised 1 and 2 are closed.

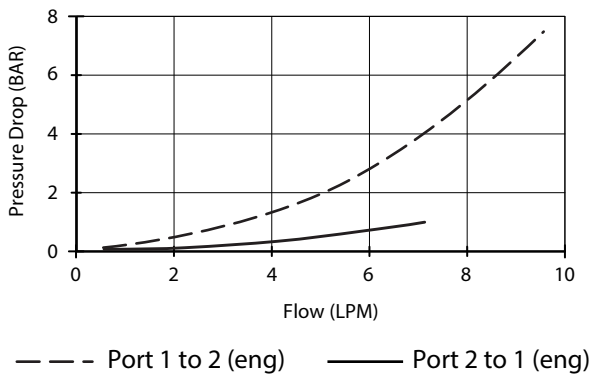
The valve is typically used in hydraulic pump unloading applications or can be used as a simple directional control.

Symbol

Features

- Hardened parts for longer life.
- Efficient wet-armature construction.
- Cartridges are voltage interchangeable.
- Industry common cavity.
- Unitised, molded coil design.
- Continuous duty rated solenoid.
- Optional coil voltages and terminations.

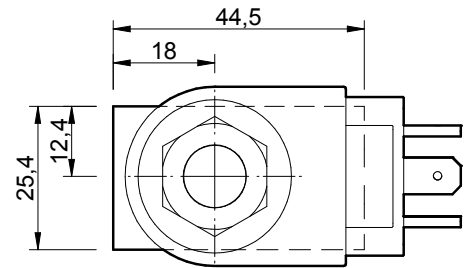
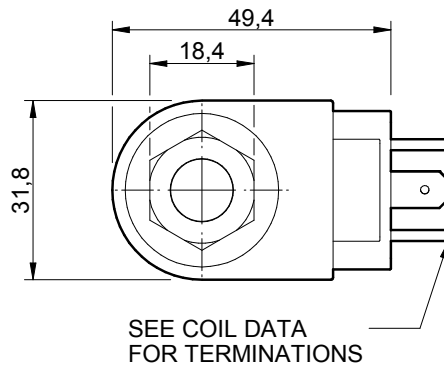
Performance

32 cSt / 38°C.

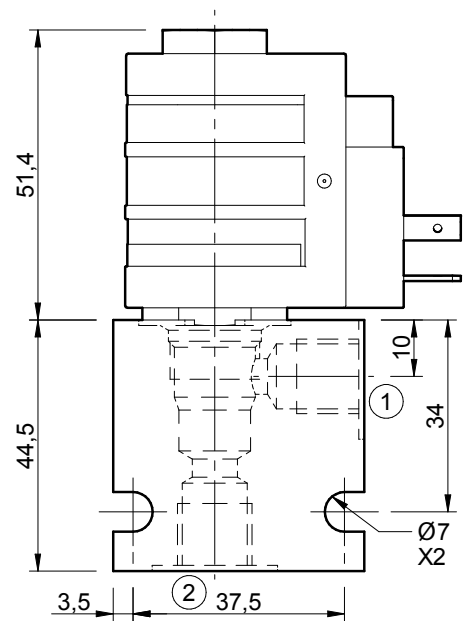
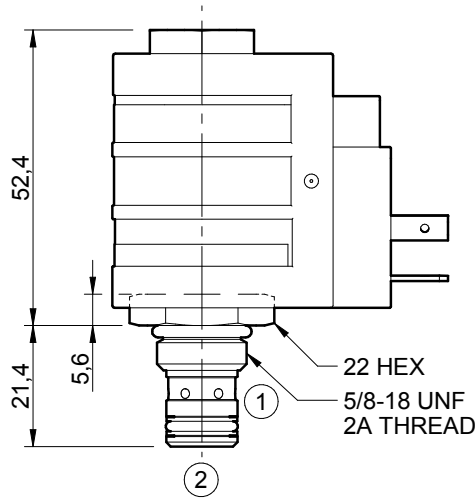

Specifications

Max. Flow (lpm)	11 from (1) to (2) 6 from (2) to (1)
Max. pressure (bar)	275
Internal Leakage (32 cSt)	131 cc/min
Hydraulic oil	General purpose hydraulic fluid
Viscosity Range	3 to 640 cSt
Filtration	ISO 18/16/13
Operating temp.	-40 to 120°C
Voltage	DC / AC (see coil data page Coil-P)
Cartridge Torque	20 Nm
Coil Nut Torque	5 to 8 Nm
Cavity	MA07-2 (see cavity data page CAV-MA07-2)
Spare Seal Kit (Viton)	SK-DMAVHA
Weight - Cartridge only	0.05 kg
Weight - Cartridge + Coil	0.24 kg
Weight - Cartridge + Coil + Body	0.35 kg (alum) 0.55 kg (steel)

Dimensions
[mm]



Coils can be fitted in **any** orientation.
Refer to data sheet Coil-P for coil options.



Ordering Code

D-UAS2H

Options	Coil termination	Voltage	Port size (BSP)	No. of ports	Body material
00 - Nitrile	DL - Double lead	12 - 12 Vdc	A - 1/4"	2 - 2 ports	A - Aluminium
V0 - Viton	DS - Double spade	24 - 24 Vdc	Options - See page B-DMA	Options - See page B-DMA	S - Steel
A0 - Nitrile, screen	HC - EN 175301-803*	48 - 48 Vdc			
W0 - Viton, screen	CL - Conduit lead	25 - 24 Vac			
	'I' coils (12 & 24 volts only) weather/immersion proof (IP69)	11 - 110 Vac			
	IA - AMP superseal	23 - 250 Vac			
	ID - Deutsch	Options - See page Coil-P			
	IJ - AMP Jr. Timer				
	IM - Metripak				
	Options - See page Coil-P				
	Omit if coil is not required				

Note: use screen only if flow direction is from (1) to (2).

*Formerly DIN 43650 Hirschmann connector.