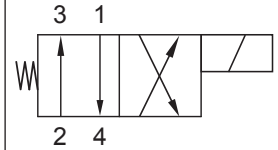




Up to 275 bar - 4 lpm

Symbol

Operation

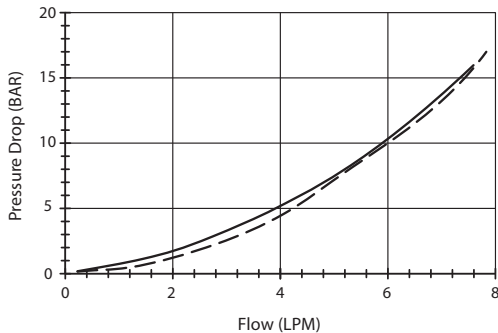
This is a solenoid operated 4 way 2 position directional spool valve. It is typically used for controlling a single acting cylinder or hydraulic motor.

Features

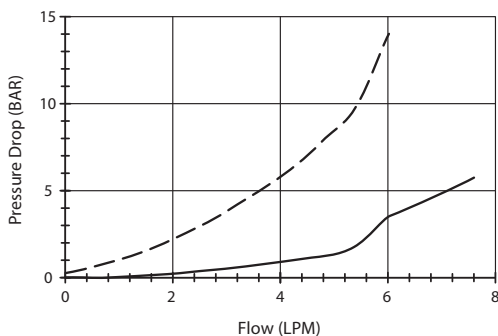
- Hardened parts for long life.
- Efficient wet-armature construction.
- Cartridges are voltage interchangeable.
- Industry common cavity.
- Unitised, molded coil design.
- Continuous duty rated solenoid.
- Optional coil voltages and terminations.

Performance

32 cSt / 38°C.



- - - Port 1 to 4 (de-eng) ——— Port 2 to 3 (de-eng)

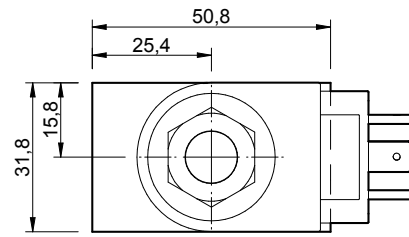
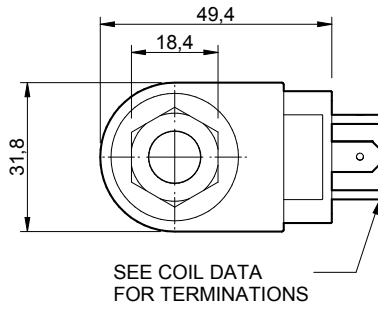


- - - Port 2 to 1 (eng) ——— Port 3 to 4 (eng)

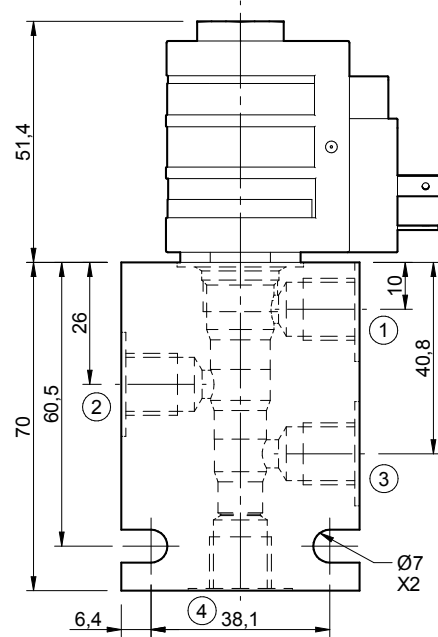
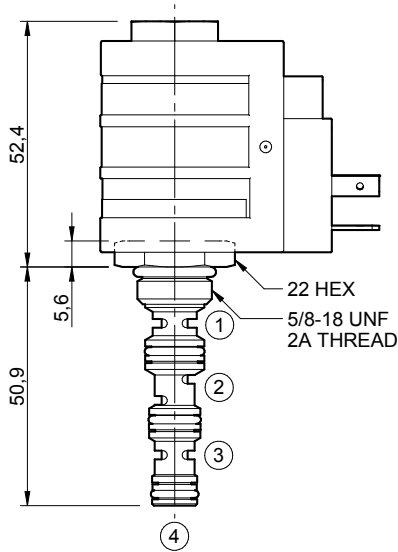
Specifications

Max. Flow (lpm)	4
Max. pressure (bar)	275
Internal Leakage (32 cSt)	131 cc/min per path
Hydraulic oil	General purpose hydraulic fluid
Viscosity Range	3 to 640 cSt
Filtration	ISO 18/16/13
Operating temp.	-40 to 120°C
Voltage	DC / AC (see coil data page Coil-P)
Cartridge Torque	20 Nm
Coil Nut Torque	5 to 8 Nm
Cavity	MD07-4 (see cavity data page CAV-MD07-4)
Spare Seal Kit (Viton)	SK-DMDVHAAA
Weight - Cartridge only	0.07 kg
Weight - Cartridge + Coil	0.26 kg
Weight - Cartridge + Coil + Body	0.51 kg (alum) 1.00 kg (steel)

Dimensions
[mm]



Coils can be fitted in any orientation.
Refer to data sheet Coil-P for coil options.



Ordering Code

D-UDS4A — ****** — ****** ****** — ***** ***** *****

Options
00 - Nitrile
V0 - Viton

Coil termination
DL - Double lead
DS - Double spade
HC - EN 175301-803*
CL - Conduit lead
'I' coils (12 & 24 volts only) weather/immersion proof (IP69)
IA - AMP superseal
ID - Deutsch
IJ - AMP Jr. Timer
IM - Metripak
Options - See page Coil-P
Omit if coil is not required

Voltage
12 - 12 Vdc
24 - 24 Vdc
48 - 48 Vdc
25 - 24 Vac
11 - 110 Vac
23 - 250 Vac
Options - See page Coil-P

Port size (BSP)
A - 1/4"
Options - See page B-DMD

No. of ports
4 - 4 ports
Options - See page B-DMD

Body material
A - Aluminium
S - Steel

*Formerly DIN 43650 Hirschmann connector.