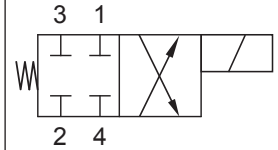




Up to 275 bar - 6 lpm

**Symbol**



**Operation**

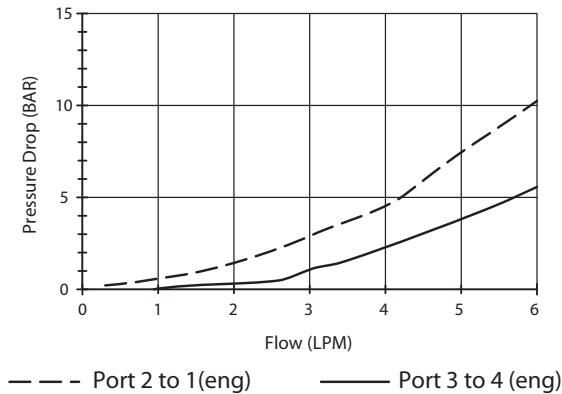
This is a solenoid operated 4 way 2 position closed centre spool valve with all parts closed in the de-energised position.

**Features**

- Hardened parts for long life.
- Efficient wet-armature construction.
- Cartridges are voltage interchangeable.
- Industry common cavity.
- Unitised, molded coil design.
- Continuous duty rated solenoid.
- Optional coil voltages and terminations.

**Performance**

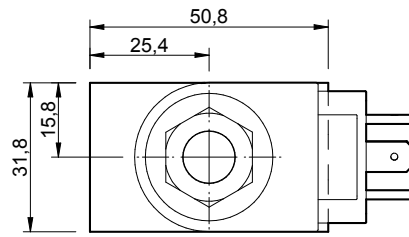
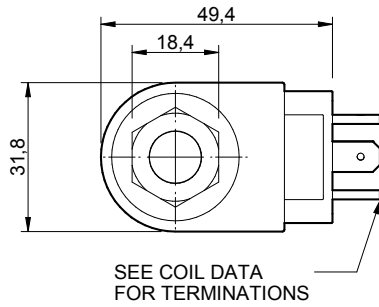
32 cSt / 38°C.



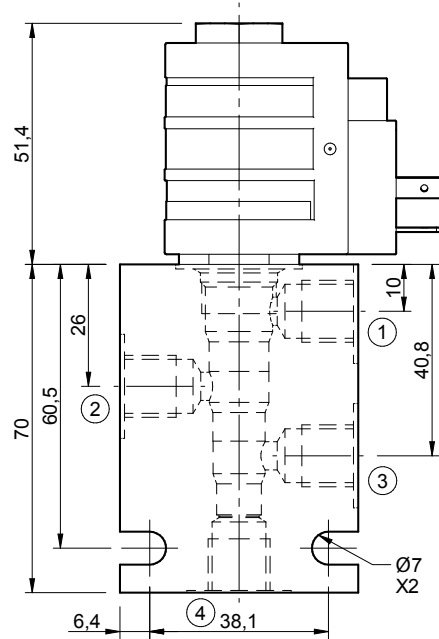
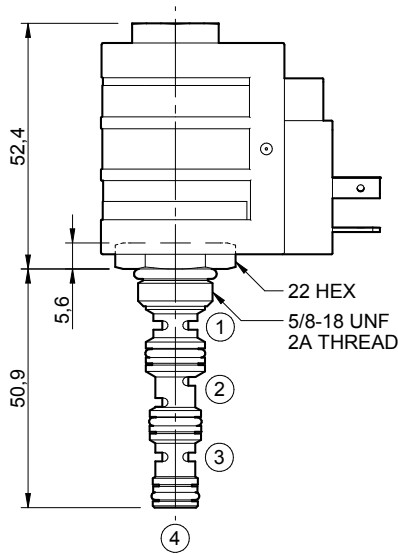
**Specifications**

Max. Flow (lpm)	6
Max. pressure (bar)	275
Internal Leakage (32 cSt)	131 cc/min per path
Hydraulic oil	General purpose hydraulic fluid
Viscosity Range	3 to 640 cSt
Filtration	ISO 18/16/13
Operating temp.	-40 to 120°C
Voltage	DC / AC (see coil data page <b>Coil-P</b> )
Cartridge Torque	20 Nm
Coil Nut Torque	5 to 8 Nm
Cavity	MD07-4 (see cavity data page <b>CAV-MD07-4</b> )
Spare Seal Kit (Viton)	SK-DMDVHAAA
Weight - Cartridge only	0.07 kg
Weight - Cartridge + Coil	0.26 kg
Weight - Cartridge + Coil + Body	0.51 kg (alum) 1.00 kg (steel)

**Dimensions**  
[mm]



Coils can be fitted in any orientation.  
Refer to data sheet Coil-P for coil options.



**Ordering Code**

**D-UDS4B** — **\*\*** — **\*\*** **\*\*** — **\*** **\*** **\***

Options
<b>00</b> - Nitrile
<b>V0</b> - Viton

Coil termination
<b>DL</b> - Double lead
<b>DS</b> - Double spade
<b>HC</b> - EN 175301-803*
<b>CL</b> - Conduit lead
<b>'I'</b> coils (12 & 24 volts only) weather/immersion proof (IP69)
<b>IA</b> - AMP superseal
<b>ID</b> - Deutsch
<b>IJ</b> - AMP Jr. Timer
<b>IM</b> - Metripak
<b>Options</b> - See page <b>Coil-P</b>
Omit if coil is not required

Voltage
<b>12</b> - 12 Vdc
<b>24</b> - 24 Vdc
<b>48</b> - 48 Vdc
<b>25</b> - 24 Vac
<b>11</b> - 110 Vac
<b>23</b> - 250 Vac
<b>Options</b> - See page <b>Coil-P</b>

Port size (BSP)
<b>A</b> - 1/4"
<b>Options</b> - See page <b>B-DMD</b>

No. of ports
<b>4</b> - 4 ports
<b>Options</b> - See page <b>B-DMD</b>

Body material
<b>A</b> - Aluminium
<b>S</b> - Steel

\*Formerly DIN 43650-B Hirschmann connector.