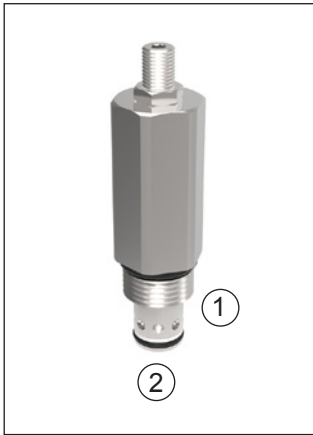


## Flow Control.

Adjustable Flow Control Valve, Pressure Compensated - Size 10.

# D-DEFCC



Up to 240 bar - 30 lpm

### Symbol




This is an adjustable, fixed orifice type, pressure compensated flow control which can be used to control flow regardless of varying load pressures for both meter-in and meter-out applications. Where load pressure and inlet flow are relatively constant the valve can be used to provide accurate control in bleed-off circuits. The valves are adjustable within pre-selected flow ranges.

### Operation

The D-DEFCC maintains a constant flow rate out of (1) regardless of load pressure changes in the circuit downstream of (1). The adjustable control orifice can be set to customer flow specification (see options for ranges). The valve begins to respond to load changes when the flow through the valve creates a pressure differential across the control orifice. Consult chart to see regulation at high and low adjustment settings. Reverse flow (1) to (2) returns through the control orifice and is non-compensated. The regulated flow increases from low to high with clockwise rotation of the knob.

### Adjustment

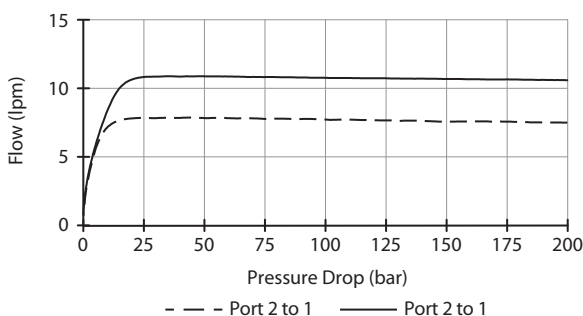
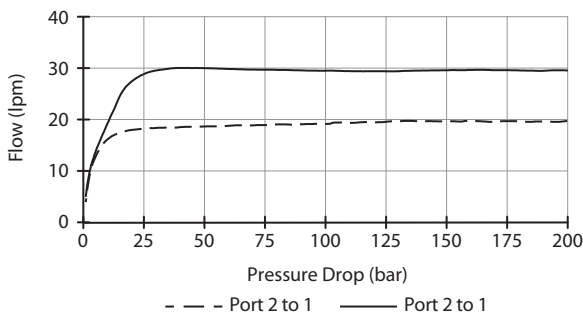
Turn  to increase flow.

### Features

- Hardened parts for long life.
- Industry common cavity.
- Fine low-torque adjustment.

### Performance

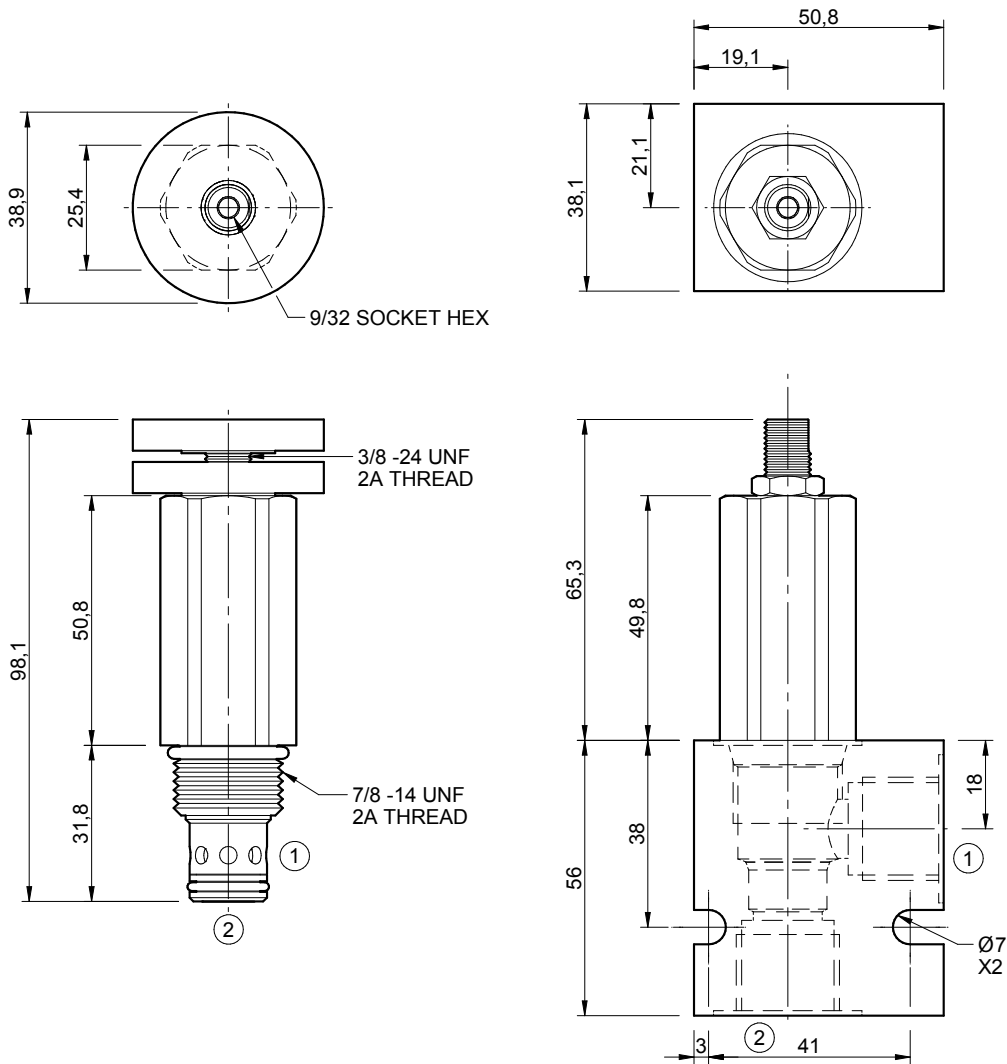
32 cSc / 38°C.



### Specifications

Nom. Flow (lpm)	30
Max. Pressure (bar)	240
Hydraulic Oil	General purpose hydraulic fluid
Viscosity Range	3 to 640 cSt
Filtration	ISO 18/16/13
Operating Temp.	-40 to 120°C
Cartridge Torque	41 Nm
Cavity	DE10-2 (see cavity data page <a href="#">CAV-DE10-2</a> )
Spare Seal Kit (Viton)	SK-DDEVHA
Weight - Valve only	0.23 kg
Weight - Valve + Body	0.46 kg (alum) 0.88 kg (steel)

**Dimensions**  
[mm]



**Ordering Code**

**D-DEFCC**

