



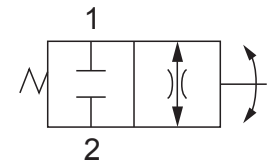
Up to 240 bar - 76 lpm

This is a 2 way manually operated rotary spool valve which can be used as a directional valve with flow metering characteristics.

Operation

The D-DEM2G when rotated clockwise (fully closed position) blocks flow from (1) to (2) and (2) to (1). When rotated counterclockwise (fully open position), the cartridge allows flow from (1) to (2) and (2) to (1).

Symbol



Adjustment

Turn  to close valve / reduce flow.

Features

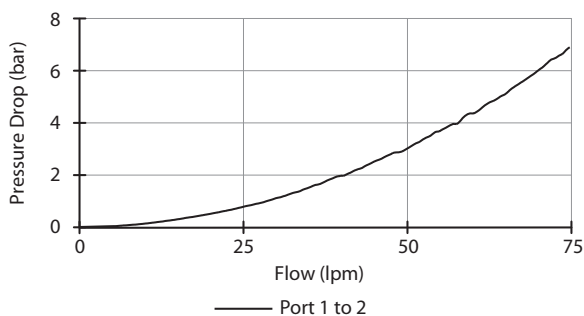
- Hardened parts for long life.
- Industry common cavity



May be used as a metering product. Valve has approximately 3.5 turns of adjustment from fully open to fully closed. See chart for fully open pressure drop.

Performance

32 cSc / 38°C.

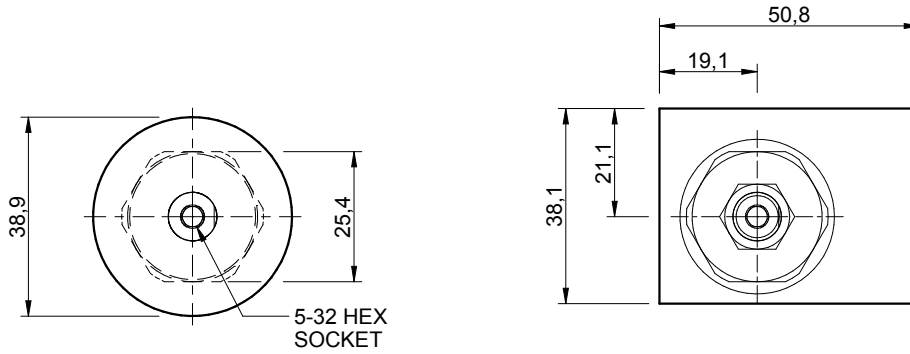


Specifications

Nom. Flow (lpm)	76
Max. Pressure (bar)	210
Internal Leakage (32 cSt)	82 cc/min
Hydraulic Oil	General purpose hydraulic fluid
Viscosity Range	3 to 640 cSt
Filtration	ISO 18/16/13
Operating Temp.	-40 to 120°C
Cartridge Torque	41 Nm
Cavity	DE10-2 (see cavity data page CAV-DE10-2)
Spare Seal Kit (Viton)	SK-DDEVHD
Weight - Valve only	0.12 kg
Weight - Valve + Body	0.35 kg (alum) 0.77 kg (steel)

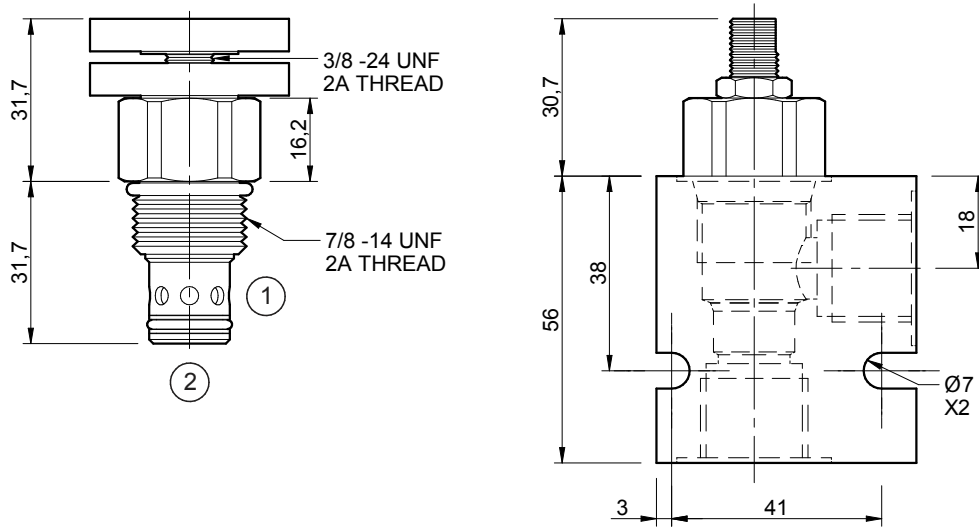
Dimensions

[mm]



To Override

Rotate knob.



Ordering Code

D-DEM2G

