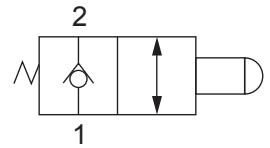




Up to 100 bar - 75 lpm

Symbol


This normally closed, pull-to-open / spring return, poppet valve is typically used for blocking or load holding circuits. The valve can be manually pulled open with its knob option or opened mechanically (e.g. by cable).

Operation

The D-DEMCF blocks flow from (1) to (2) until an operator pulls the shaft outward. The bias spring allows for backpressure at (2) before the valve will open (See options for pressure).

Note: Pressure at port (2) will directly act on the spool and spring. Port (2) is intended to be a tank port only.

Features

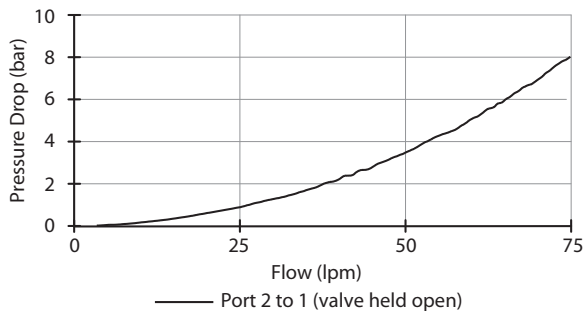
- Hardened parts for long life.
- Industry common cavity



Pressure above SPRING BIAS PRESSURE at port (2) may cause valve to self open.

Performance

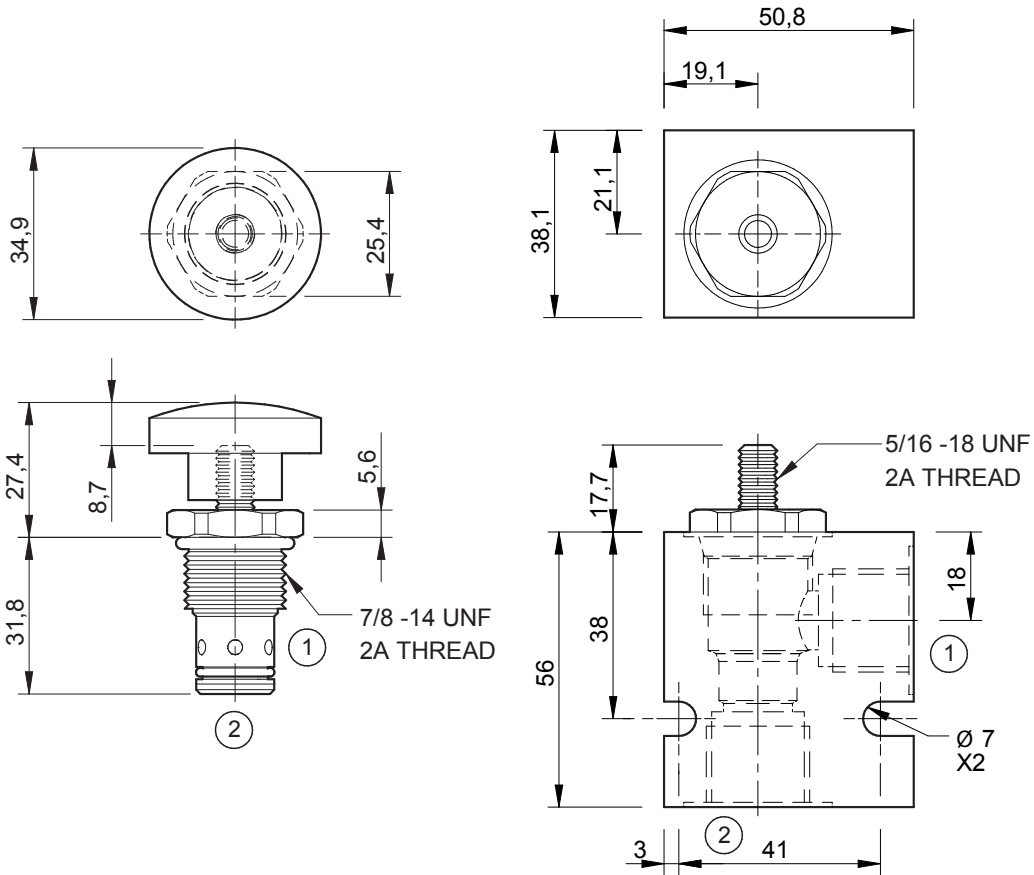
32 cSt / 38°C.


Specifications

Nom. Flow (lpm)	75
Max. Pressure (bar)	100
Internal Leakage (32 cSt)	Negligible
Hydraulic Oil	General purpose hydraulic fluid
Viscosity Range	3 to 640 cSt
Filtration	ISO 18/16/13
Operating Temp.	-0°C to +70°C
Cartridge Torque	41 Nm
Cavity	DE10-2 (see cavity data page CAV-DE10-2)
Spare Seal Kit (Viton)	SK-DDEVHA
Weight - Valve only	0.06 kg
Weight - Valve + Body	0.29 kg (alum) 0.71 kg (steel)

Dimensions

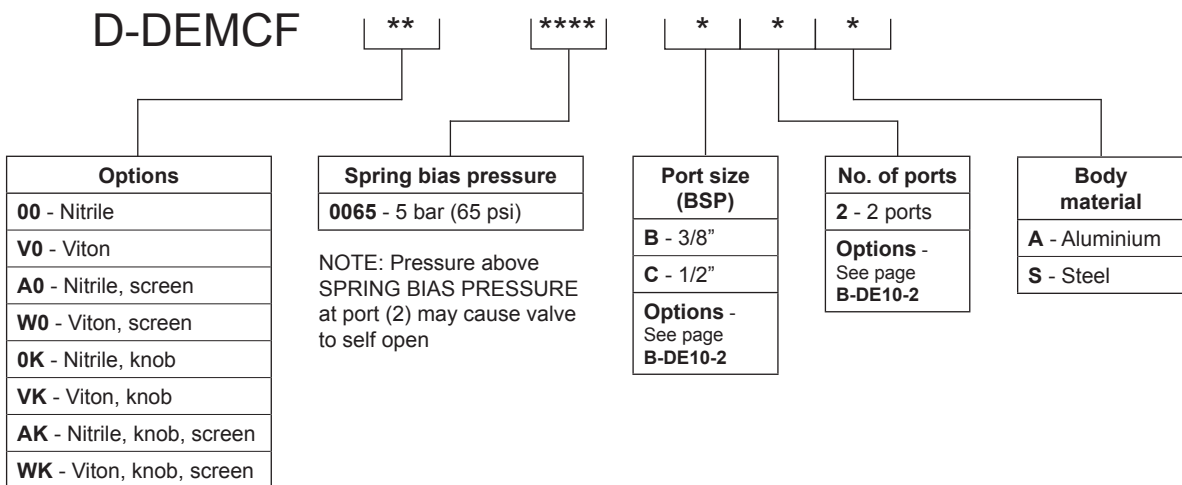
[mm]



To Operate

Pull knob.

Ordering Code



NOTE: Use screen only if flow direction is from (1) to (2).

Knob Part No.
PT-KN34502000