



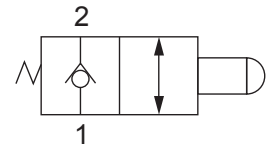
Up to 240 bar - 76 lpm

This normally closed, pull-to-open / spring return, poppet valve is typically used for blocking or load holding circuits. The valve can be manually pulled open with its knob option or opened mechanically (e.g. by cable).

Operation

The D-DEMCS blocks flow from (1) to (2) until an operator pulls the shaft outward. The bias spring allows for backpressure at (2) before the valve will open (See option page for pressure).

Note: Pressure at port (2) will directly act on the spool and spring. Port (2) is intended to be a tank port only.

Symbol

Features

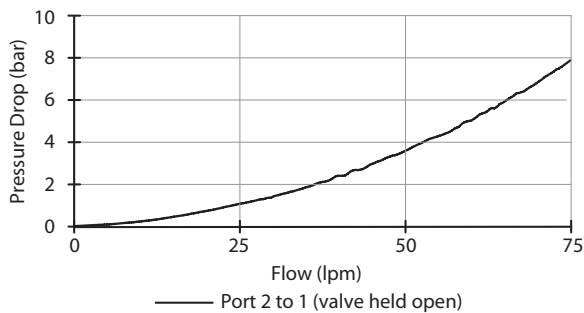
- Hardened parts for long life.
- Industry common cavity.
- Corrosion resistant.
- Optional bias springs for backpressure application flexibility.



*5 bar (75 psi) bias provides comfortable effort where return line is near zero.
11 bar (150 psi) option may be difficult to pull, if tank pressure is near zero.
Stainless steel shaft.*

Performance

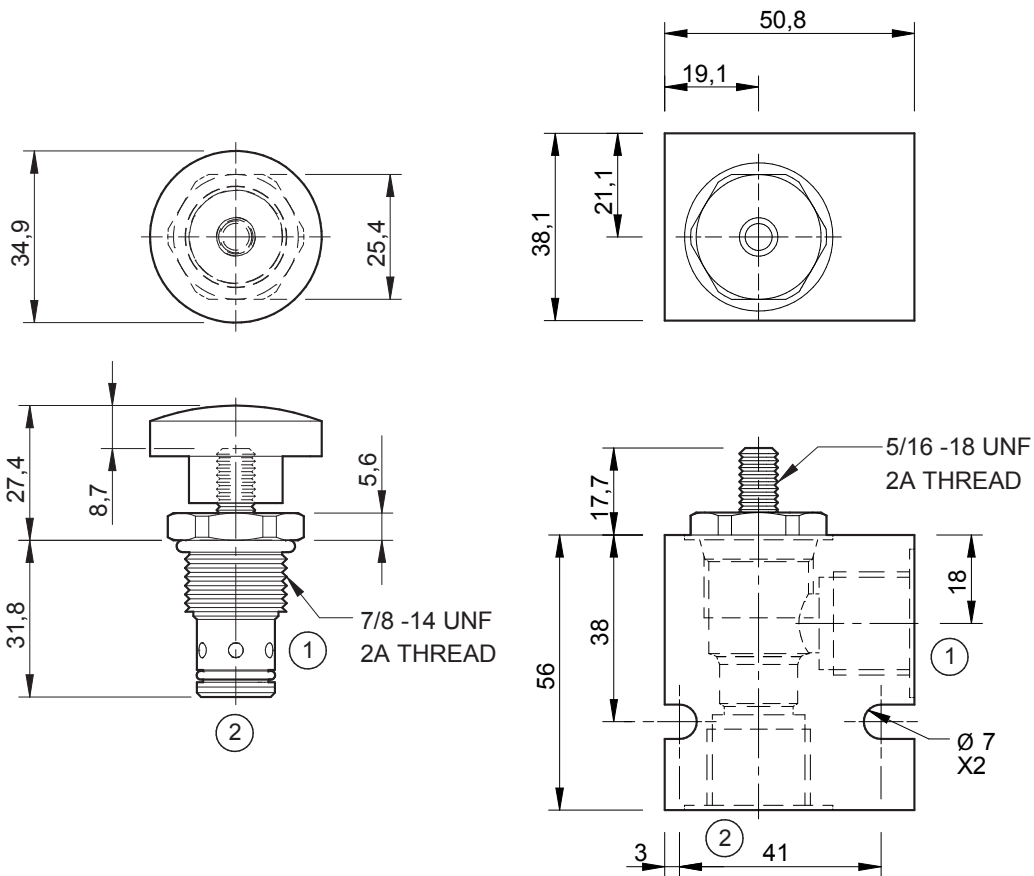
32 cSc / 38°C.


Specifications

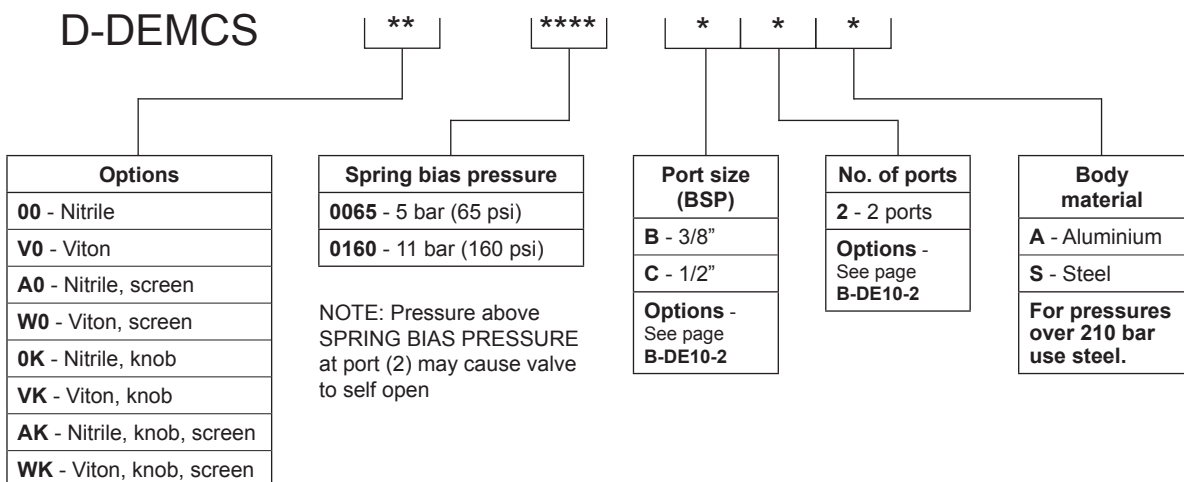
Nom. Flow (lpm)	76
Max. Pressure (bar)	240
Internal Leakage (32 cSt)	0 to 0.25 cc/min
Hydraulic Oil	General purpose hydraulic fluid
Viscosity Range	3 to 640 cSt
Filtration	ISO 18/16/13
Operating Temp.	-40 to 120°C
Cartridge Torque	41 Nm
Cavity	SJ16-2 (see cavity data page CAV-DE10-2)
Spare Seal Kit (Viton)	SK-DDEVHA
Weight - Valve only	0.34 kg
Weight - Valve + Body	0.57 kg (alum) 0.99 kg (steel)

Dimensions

[mm]


To Operate

Pull knob.

Ordering Code
D-DEMCS


NOTE: Pressure above SPRING BIAS PRESSURE at port (2) may cause valve to self open

NOTE: Use screen only if flow direction is from (1) to (2).

Knob Part No.
PT-KN34502000