

## Pressure Control.

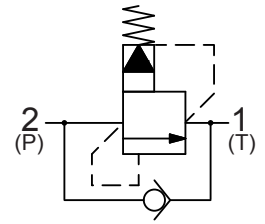
Pilot Operated Relief Valve, with Reverse Flow - Size 10.

# D-DERWR



Up to 275 bar - 57 lpm

### Symbol




This is a pilot operated spool type relief valve, typically used to provide system relief protection. This valve also has a reverse free flow function (e.g. for anti-cavitation purposes). It is ideal for continuous duty and accurate stable pressure control with constant or varying flows.

### Operation

The D-DERVR blocks flow from (2) to (1) until sufficient pressure is present at (2) to force the pilot stage open, allowing the main stage to shift, opening (2) to (1). The relief flow path is from (2) to (1). Free reverse flow, from (1) to (2), occurs when the pressure at (1) is at least 0.7 bar higher than at port (2).

### Adjustment

Turn  to increase pressure.

### Features

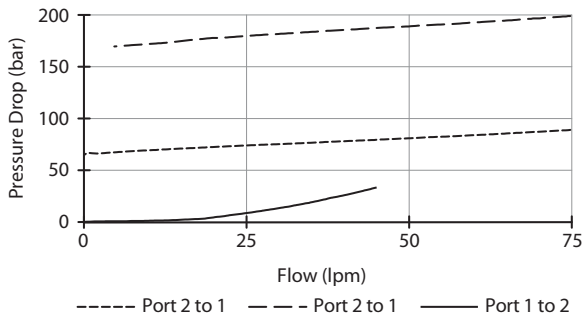
- Hardened parts for long life.
- Industry common cavity.



Consult Performance chart for flow capacity port 1 to 2

### Performance

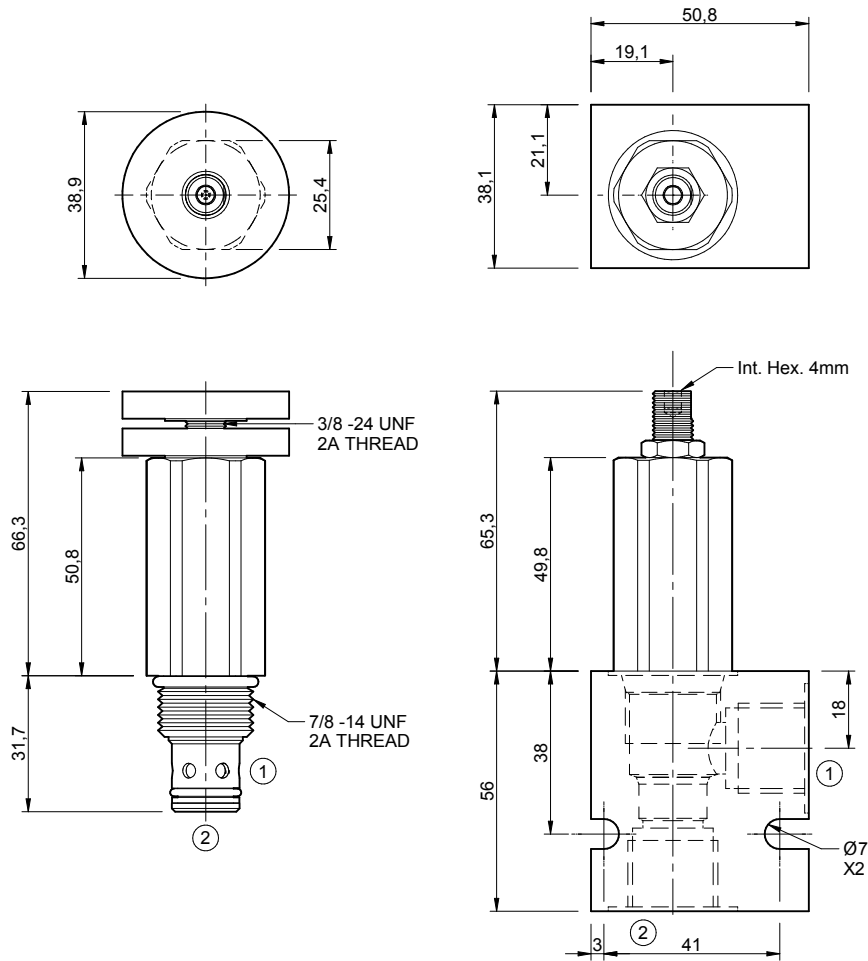
32 cSc / 38°C.



### Specifications

Nom. Flow (lpm)	57
Max. Pressure (bar)	275
Hydraulic Oil	General purpose hydraulic fluid
Viscosity Range	3 to 640 cSt
Filtration	ISO 18/16/13
Operating Temp.	-40 to 120°C
Cartridge Torque	41 Nm
Cavity	DE10-2 (see cavity data page <b>CAV-DE10-2</b> )
Spare Seal Kit (Viton)	SK-DDEVHA
Weight - Valve only	0.24 kg
Weight - Valve + Body	0.47 kg (alum) 0.89 kg (steel)

**Dimensions**  
[mm]



**Ordering Code**

**D-DERWR**

