

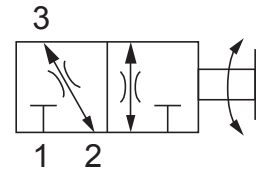
Up to 210 bar - 45 lpm

Operation

The D-DFM3A when rotated fully clockwise, the cartridge directs flow from (3) to (2) or (2) to (3) and blocks flow at (1).

When rotated fully counterclockwise, the cartridge directs flow from (1) to (3) or (3) to (1) and blocks flow at (2).

All ports are closed in transition.

Symbol

Features

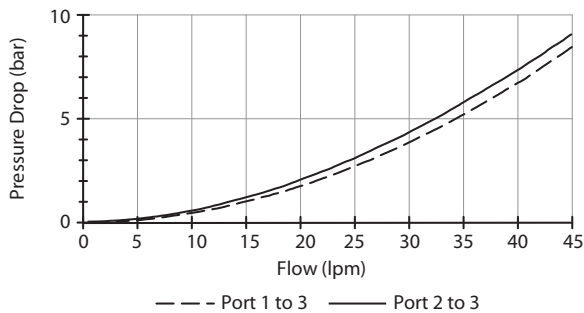
- Hardened parts for long life.
- Industry common cavity



May be used as metering product. Valve has approximately 3.5 turns adjustment from extreme clockwise fully to counterclockwise positions. See chart for pressure drop in both positions.

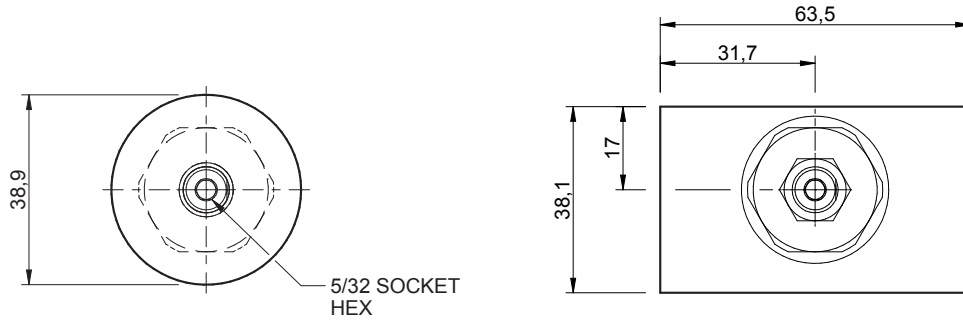
Performance

32 cSc / 38°C.


Specifications

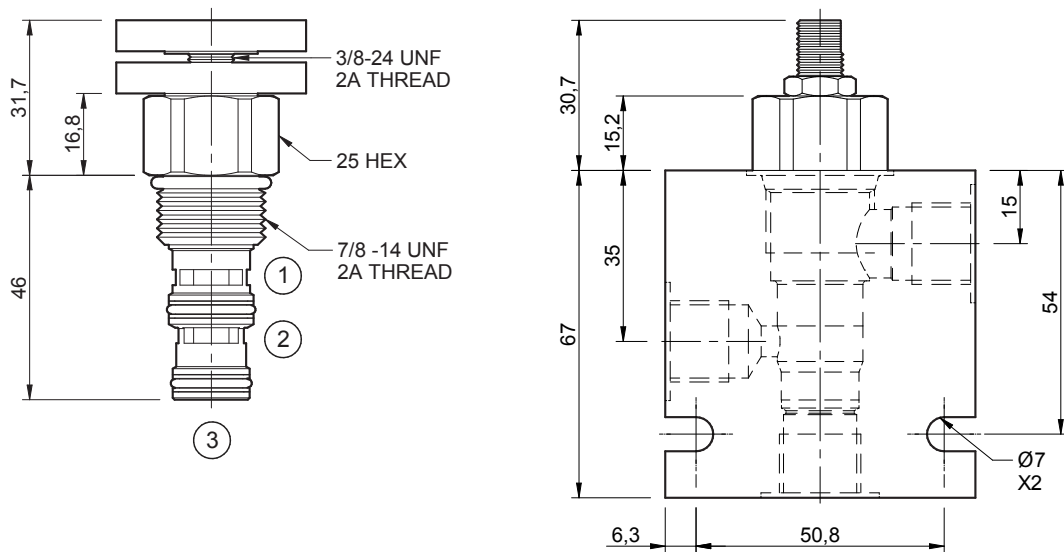
Nom. Flow (lpm)	45
Max. Pressure (bar)	210
Internal Leakage (32 cSt)	82 cc/min
Hydraulic Oil	General purpose hydraulic fluid
Viscosity Range	3 to 640 cSt
Filtration	ISO 18/16/13
Operating Temp.	-40 to 120°C
Cartridge Torque	41 Nm
Cavity	DF10-3 (see cavity data page CAV-DF10-3)
Spare Seal Kit (Viton)	SK-DDFVHDD
Weight - Valve only	0.22 kg
Weight - Valve + Body	0.59 kg (alum) 1.28 kg (steel)

Dimensions
[mm]



To Override

Rotate knob.



Ordering Code

D-DFM3A

