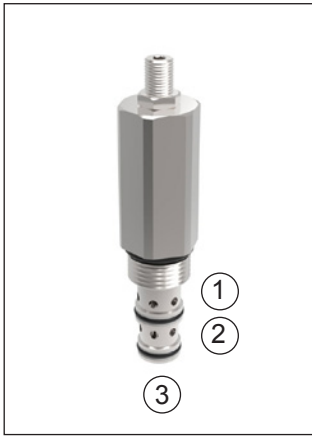


Pressure Control.

Adjustable Pressure Compensating Valve, Restrictive Type - Size 10.

D-DFPCT



Up to 240 bar - 38 lpm

Operation

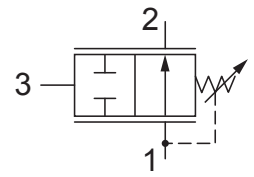
The D-DFPCT with an external orifice in front of port (1) allows pressure compensated flow from (1) to (2), regulated by the pressure present at (3).

The spring chamber is constantly vented at (1).

Adjustment

Turn  to increase pressure.

Symbol



Features

- Hardened parts for long life.
- Industry common cavity.



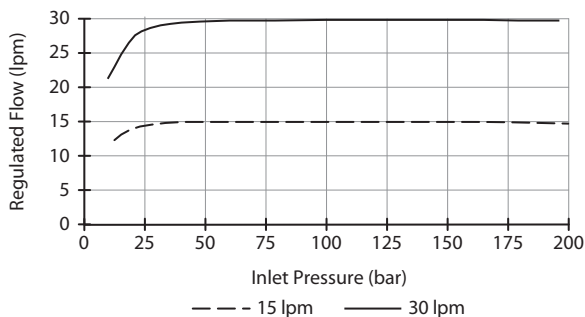
Can be used as an adjustable logic element.

For fixed version see D-DFPCS.

For higher spring differential pressure ranges consult factory.

Performance

32 cSt / 38°C.

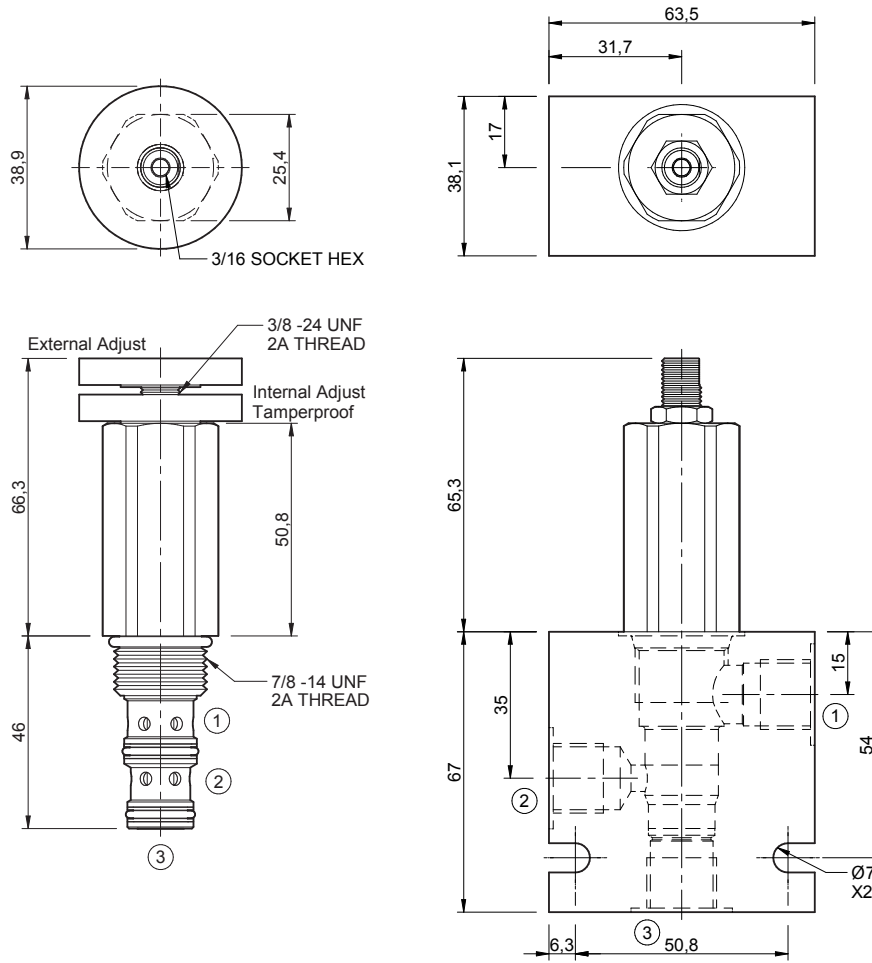


Specifications

Nom. Flow (lpm)	38
Max. Pressure (bar)	240
Internal Leakage (32 cSt)	82 cc/min per path
Hydraulic Oil	General purpose hydraulic fluid
Viscosity Range	3 to 640 cSt
Filtration	ISO 18/16/13
Operating Temp.	-40 to 120°C
Cartridge Torque	41 Nm
Cavity	DF10-3 (see cavity data page CAV-DF10-3)
Spare Seal Kit (Viton)	SK-DDFVHDD
Weight - Valve only	0.27 kg
Weight - Valve + Body	0.63 kg (alum) 1.30 kg (steel)

Dimensions

[mm]



Ordering Code

