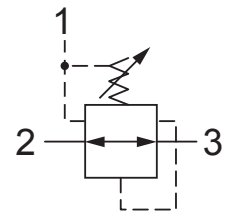


Up to 210 bar - 38 lpm

Operation

The D-DFPRP in its steady state, allows flow to pass from (2) to (3), with the spring chamber constantly drained at (1). When a pre-determined pressure is reached at (3), the spool shifts to restrict input flow at (2), thereby reducing (restricting) flow. If valve and pressure at port (3) exceeds setting, spool shift to open passage at port (1), thereby regulating pressure at port (3) by relieving excess flow. This valve is ideal for secondary reduced pressure control in common hydraulic circuits. The valve offers smooth transition in response to load changes.

Symbol



Adjustment

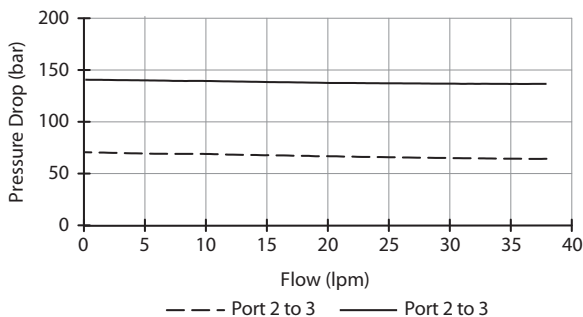
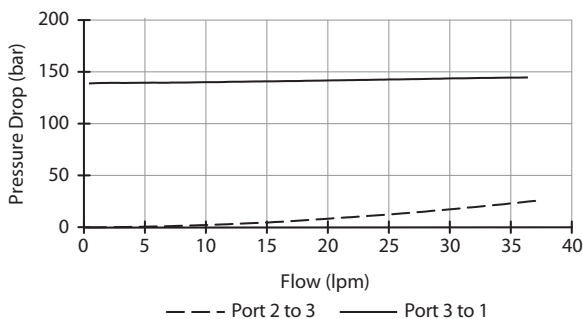
Turn  to increase pressure.

Features

- Hardened parts for long life.
- Industry common cavity.

Performance

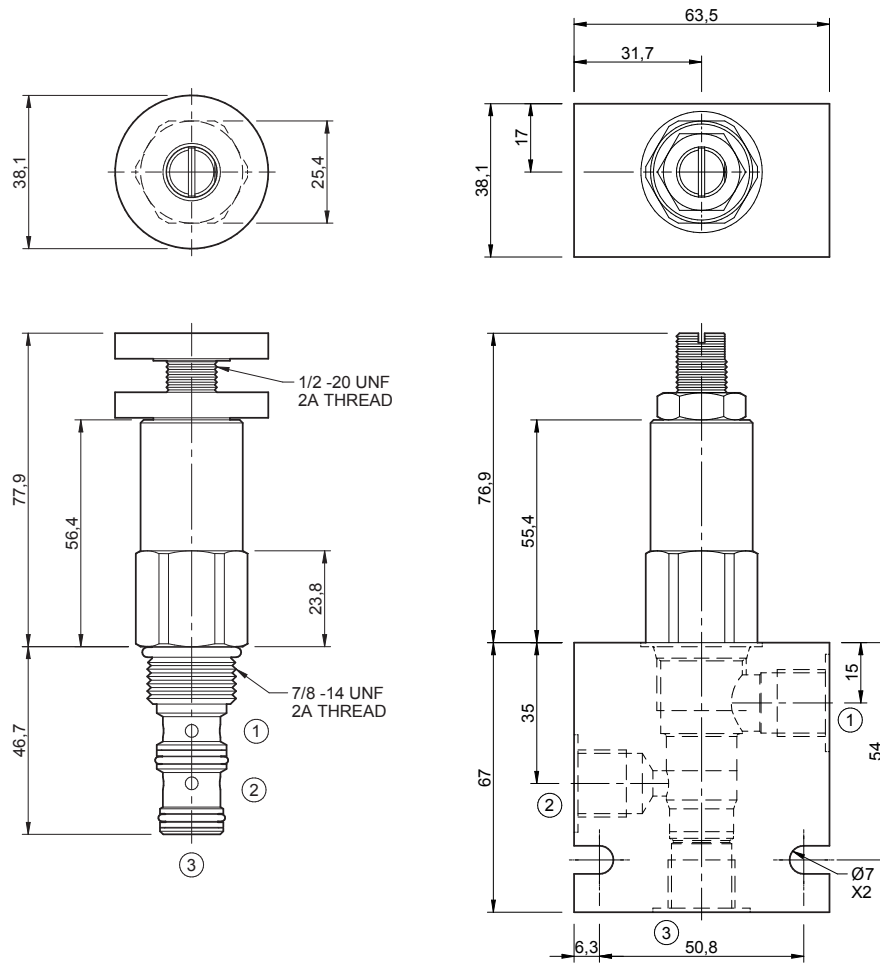
32 cSc / 38°C.



Specifications

Nom. Flow (lpm)	38
Max. Pressure (bar)	7 to 210
Hydraulic Oil	General purpose hydraulic fluid
Viscosity Range	3 to 640 cSt
Filtration	ISO 18/16/13
Operating Temp.	-40 to 120°C
Cartridge Torque	41 Nm
Cavity	DF10-3 (see cavity data page CAV-DF10-3)
Spare Seal Kit (Viton)	SK-DDFVHAA
Weight - Valve only	0.27 kg
Weight - Valve + Body	0.63 kg (alum) 1.30 kg (steel)

Dimensions
[mm]



Ordering Code

