

Up to 275 bar - 38 lpm

**Operation**

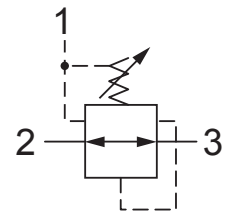
The D-DFPWP in its steady state, allows flow to pass from (2) to (3), with the spring chamber constantly drained at (1).

When a pre-determined reduced pressure is reached at (3), the spool shifts to restrict input flow at (2), thereby reducing (restricting) flow.


If valve and pressure at port (3) exceeds setting, spool shifts to open passage at port (1), thereby regulating pressure at port (3) by relieving excess flow.

This valve is ideal for secondary reduced pressure control in common hydraulic circuits. The valve offers smooth transition in response to load changes.

**Symbol**



**Adjustment**

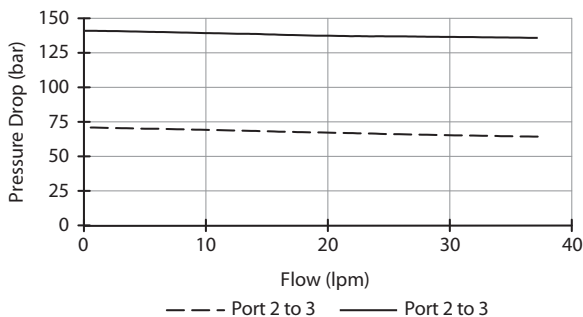
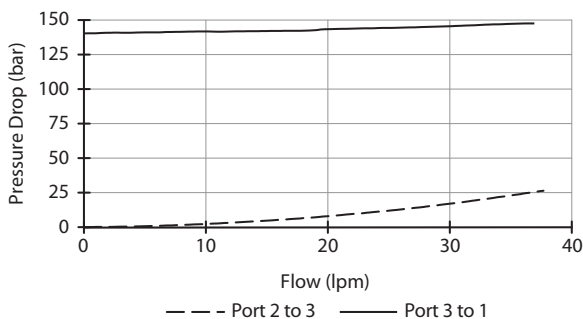
Turn  to increase pressure.

**Features**

- Hardened parts for long life.
- Industry common cavity.

**Performance**

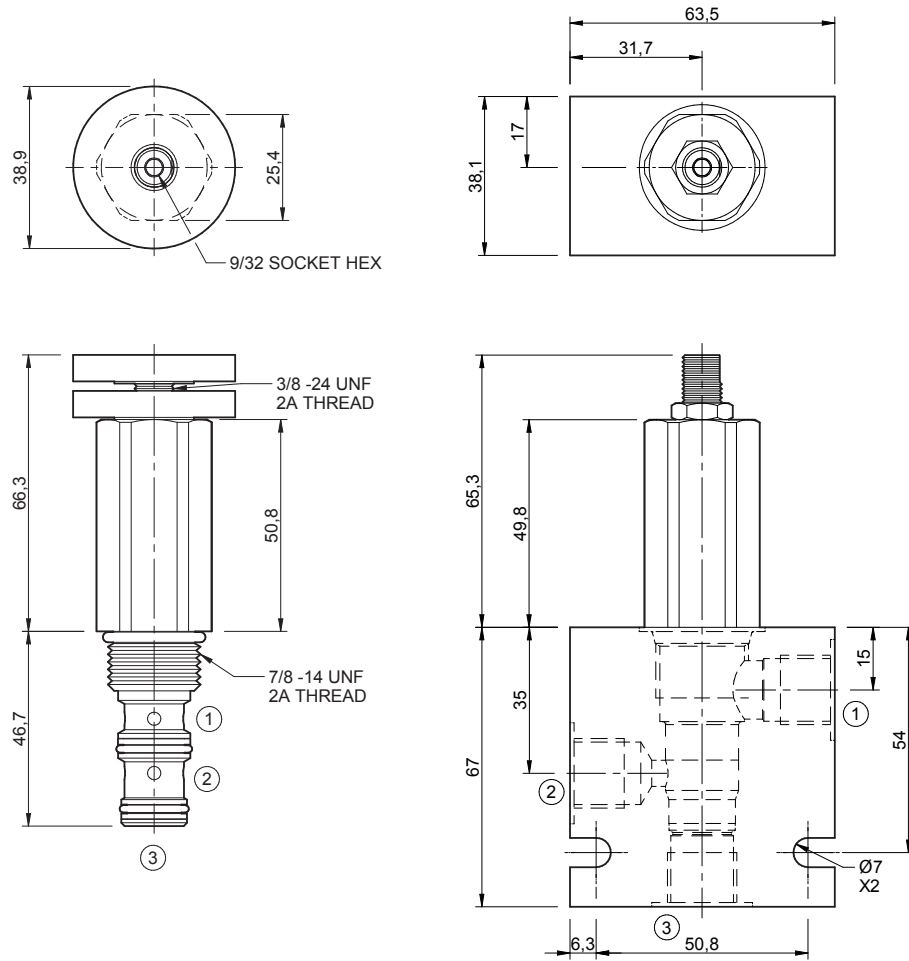
32 cSc / 38°C.



**Specifications**

Nom. Flow (lpm)	38
Max. Pressure (bar)	7 to 275
Hydraulic Oil	General purpose hydraulic fluid
Viscosity Range	3 to 640 cSt
Filtration	ISO 18/16/13
Operating Temp.	-40 to 120°C
Cartridge Torque	41 Nm
Cavity	DF10-3 (see cavity data page <b>CAV-DF10-3</b> )
Spare Seal Kit (Viton)	SK-DDFVHAA
Weight - Valve only	0.26 kg
Weight - Valve + Body	0.62 kg (alum) 1.29 kg (steel)

**Dimensions**  
[mm]



**Ordering Code**

**D-DFPWP**      **\*\***      **\*\*\*\***      **\***      **\***      **\***

Options	Pressure setting	Port size (BSP)	No. of ports	Body material
00 - Nitrile	4000 - 7 to 275 bar	A - 1/4"	3 - 3 ports	A - Aluminium
V0 - Viton	<b>Tamper Proof</b>	B - 3/8"	Options - See page B-DDF	S - Steel
0K - Nitrile, Knob	Fill in 4 digit pressure setting e.g. <b>014B</b> - 14 bar	Options - See page B-DDF		<b>For pressures over 210 bar use steel.</b>
VK - Viton, Knob				
0I - Nitrile, Internal Adj.				
VI - Viton, Internal Adj.				
0T - Nitrile, Tamper Proof				
VT - Viton, Tamper Proof				

Knob Part No.
PT-KN22020049