

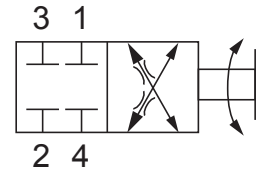


Up to 210 bar - 57 lpm

Operation

The D-DGM4B when rotated fully clockwise, this valve blocks flow at all ports.

When rotated fully counterclockwise, the cartridge directs flow between (2) and (1), as well as (3) and (4).

Symbol

Features

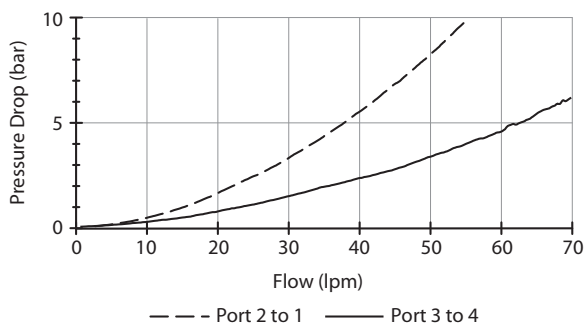
- Hardened parts for long life.
- Industry common cavity



May be used as metering product. Valve has approximately 3.5 turns adjustment from extreme clockwise fully to counterclockwise positions. See chart for pressure drop in both positions.

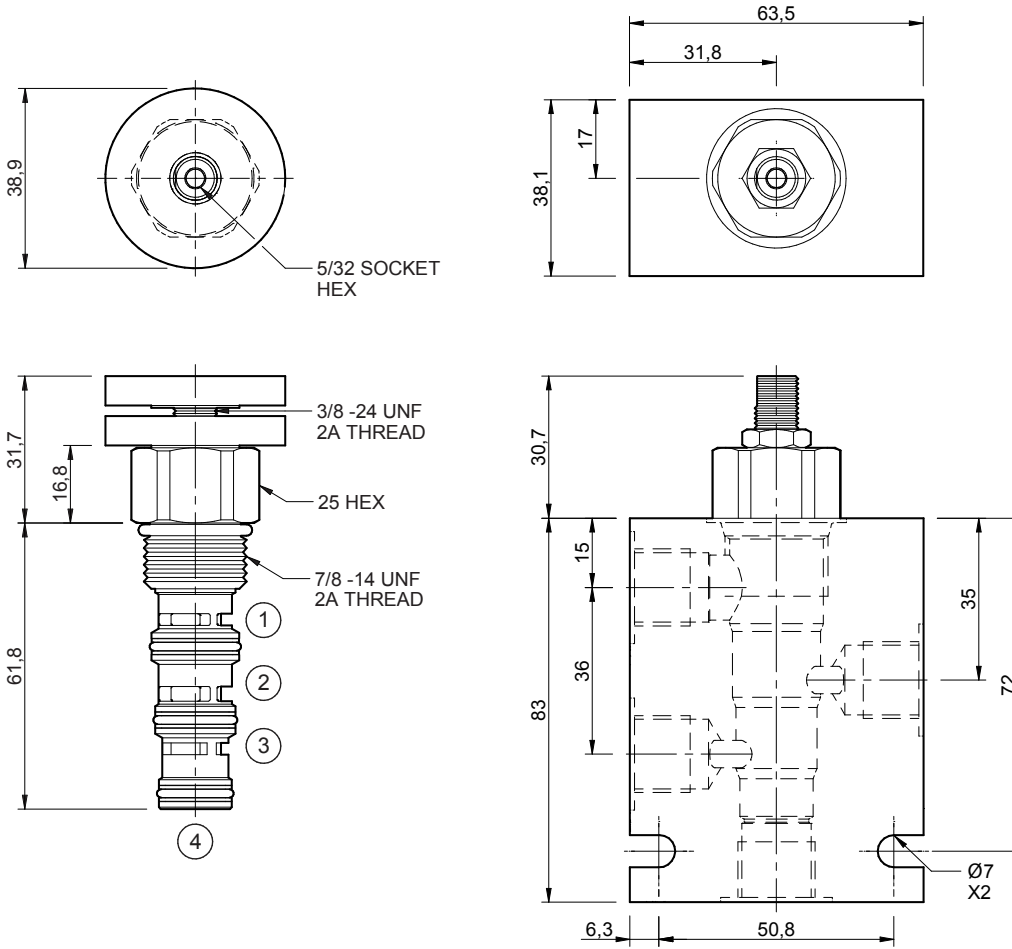
Performance

32 cSc / 38°C.


Specifications

Nom. Flow (lpm)	57
Max. Pressure (bar)	210
Internal Leakage (32 cSt)	82 cc/min
Hydraulic Oil	General purpose hydraulic fluid
Viscosity Range	3 to 640 cSt
Filtration	ISO 18/16/13
Operating Temp.	-40 to 120°C
Cartridge Torque	41 Nm
Cavity	DG10-4 (see cavity data page CAV-DG10-4)
Spare Seal Kit (Viton)	SK-DDGVHDDD
Weight - Valve only	0.15 kg
Weight - Valve + Body	0.70 kg (alum) 1.74 kg (steel)

Dimensions
[mm]



To Override
Rotate knob.

Ordering Code

D-DGM4B

