



Up to 210 bar - 45 lpm

Operation

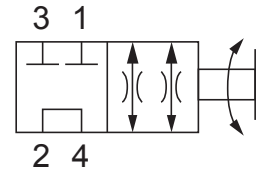
The D-DGM4C when rotated fully clockwise, the cartridge allows flow from (2) to (4) and blocks flow at (1) and (3).

When rotated fully counterclockwise, the cartridge allows flow between (2) and (3) and between (1) and (4).

All ports are closed in transition.

Features

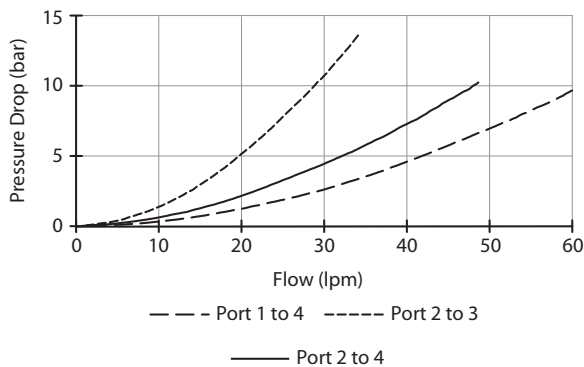
- Hardened parts for long life.
- Industry common cavity

Symbol


May be used as metering product. Valve has approximately 3.5 turns adjustment from extreme clockwise fully to counterclockwise positions. See chart for pressure drop in both positions.

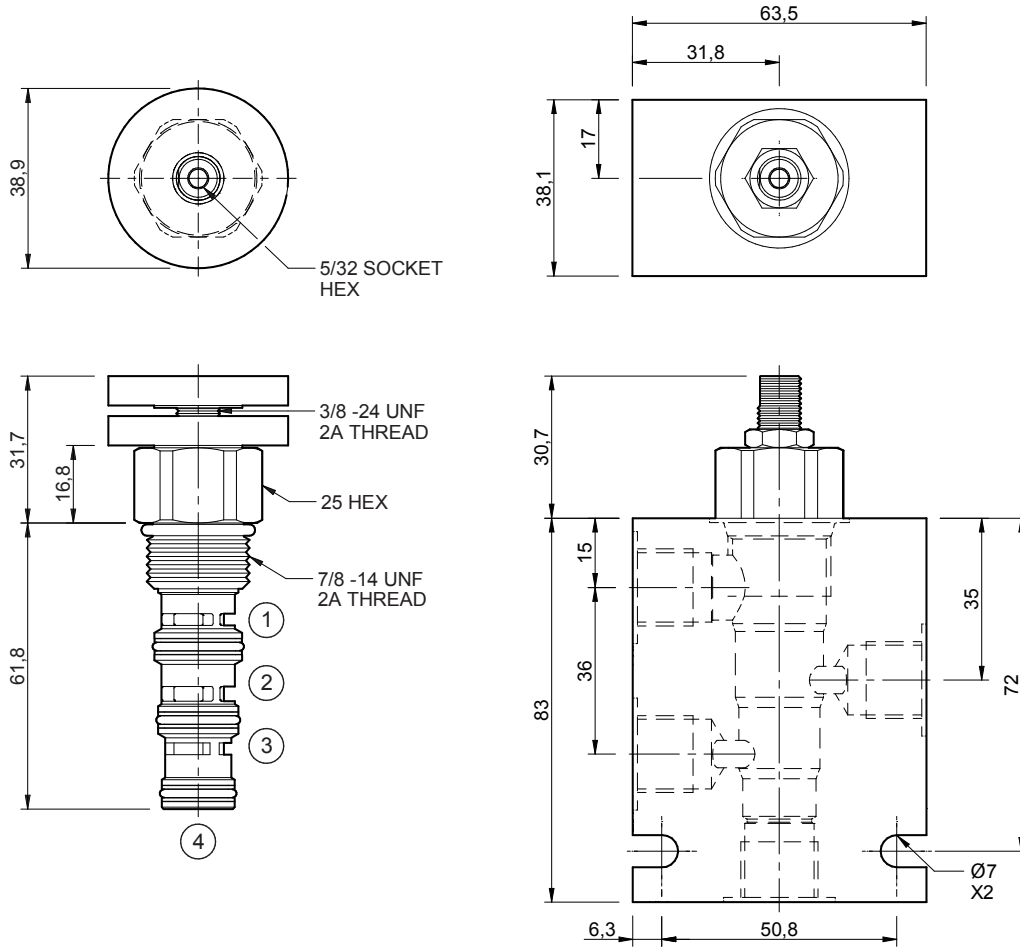
Performance

32 cSt / 38°C.


Specifications

Nom. Flow (lpm)	45 30 from (2) to (3)
Max. Pressure (bar)	210
Internal Leakage (32 cSt)	82 cc/min
Hydraulic Oil	General purpose hydraulic fluid
Viscosity Range	3 to 640 cSt
Filtration	ISO 18/16/13
Operating Temp.	-40 to 120°C
Cartridge Torque	41 Nm
Cavity	DG10-4 (see cavity data page CAV-DG10-4)
Spare Seal Kit (Viton)	SK-DDGVHDDD
Weight - Valve only	0.15 kg
Weight - Valve + Body	0.70 kg (alum) 1.74 kg (steel)

Dimensions
[mm]



To Override

Rotate knob.

Ordering Code

D-DGM4C

