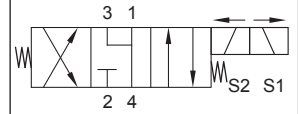


Up to 210 bar - 23 lpm

### Symbol



### Operation

This is a solenoid operated 4 way 3 position motor centre spool valve which can be used to provide directional control for a hydraulic motor or hydraulic cylinder. In the mid de-energised position service ports (1) and (3) are connected to Tank (4) with Pressure (2) blocked.

Energise solenoid (S1) to connect (2) to (3) and (1) to (4).

Energise solenoid (S2) to connect (2) to (1) and (3) to (4).

**Manual override options available.**

### Features

- Hardened parts for long life.
- Efficient wet-armature construction.
- Cartridges are voltage interchangeable.
- Industry common cavity.
- Unitised, molded coil design.
- Continuous duty rated solenoid.
- Optional coil voltages and terminations.
- Optional "I" Coil: Weatherproof, Thermal, Shock, Immersion Safe.

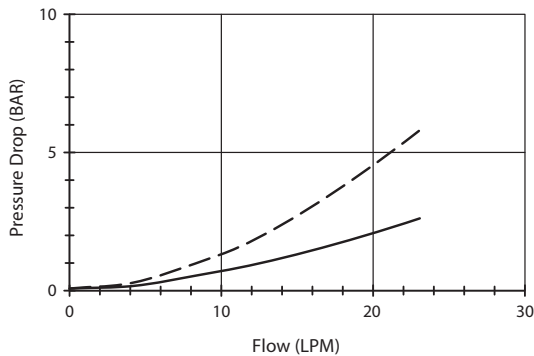


Uses "L" Coil.

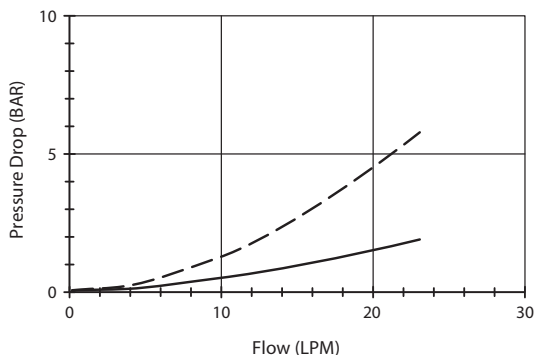
Flow rating is at 69 bar maximum differential loading.

### Performance

32 cSt / 38°C.



--- Port 2 to 1 (eng S1)    — Port 3 to 4 (eng S1)



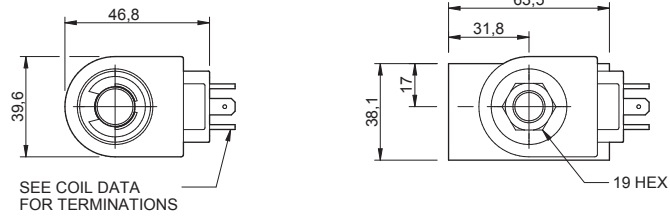
--- Port 1 to 4 (eng S2)    — Port 2 to 3 (eng S2)

### Specifications

Max. Flow (lpm)	23
Max. pressure (bar)	210
Internal Leakage (32 cSt)	82 cc/min per path
Hydraulic oil	General purpose hydraulic fluid
Viscosity Range	3 to 640 cSt
Filtration	ISO 18/16/13
Operating temp.	-40 to 120°C
Voltage	DC / AC (see coil data page <b>Coil-L</b> )
Cartridge Torque	41 Nm
Coil Nut Torque	5 to 8 Nm
Cavity	DG10-4 (see cavity data page <b>CAV-DG10-4</b> )
Seal Kit	SK-DDGVHDDD
Weight - Cartridge only	0.23 kg
Weight - Cartridge + Coil	0.54 kg
Weight - Cartridge + Coil + Body	1.00 kg (alum) 1.87 kg (steel)

**Dimensions**

[mm]



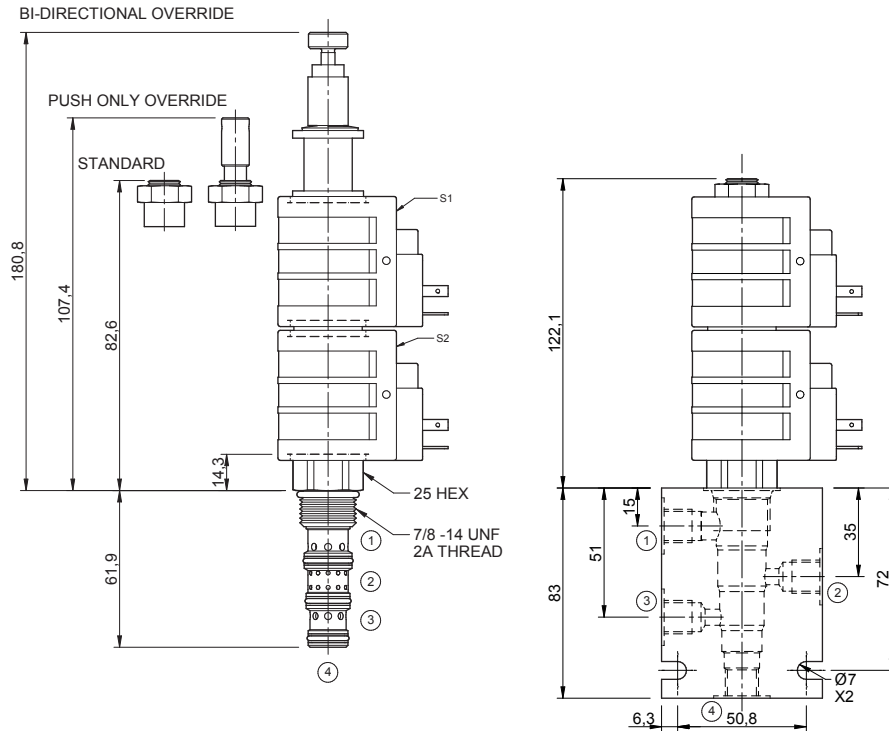
**To Override**

**Bi-Directional Override.**

Push to shift in direction S2.  
Pull to shift in direction S1.

**Push Only Override.**

Push to shift in direction S2.



Coils can be fitted in any orientation.

Refer to data sheet **Coil-L** for coil options.

**Ordering Code**

**D-DGS4M** — **\*\*** — **\*\*** **\*\*** — **\*** **\*** **\***

Options
<b>00</b> - Nitrile
<b>V0</b> - Viton
<b>0M</b> - Nitrile, bi-direct. override.
<b>VM</b> - Viton, bi-direct. override.
<b>0P</b> - Nitrile, push override.
<b>VP</b> - Viton, push override.

Coil termination
<b>DL</b> - Double lead
<b>DS</b> - Double spade
<b>HC</b> - EN 175301-803*
<b>CL</b> - Conduit lead
<b>'I' coils (12 &amp; 24 volts only)</b> weather/immersion proof (IP69)
<b>IA</b> - AMP superseal
<b>ID</b> - Deutsch
<b>IJ</b> - AMP Jr. Timer
<b>IM</b> - Metripak
<b>Options</b> - See page <b>Coil-L</b>
Omit if coil is not required

Voltage
<b>12</b> - 12 Vdc
<b>24</b> - 24 Vdc
<b>48</b> - 48 Vdc
<b>25</b> - 24 Vac
<b>11</b> - 110 Vac
<b>23</b> - 240 Vac
<b>Options</b> - See page <b>Coil-L</b>

Port size (BSP)
<b>A</b> - 1/4"
<b>B</b> - 3/8"
<b>Options</b> - See page <b>B-DDG</b>

No. of ports
<b>4</b> - 4 ports
<b>Options</b> - See page <b>B-DDG</b>

Body material
<b>A</b> - Aluminium
<b>S</b> - Steel

\*Formerly DIN 43650 Hirschmann connector.