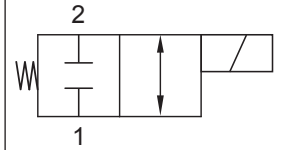




Up to 276 bar - 8 lpm

**Symbol**

**Operation**

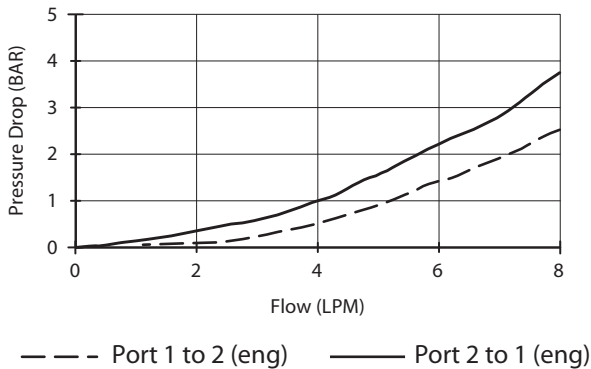
When de-energised the D-HAS2G blocks flow from (1) to (2) and (2) to (1). When energised the valve allows flow from (1) to (2) and (2) to (1).

**Features**

- Hardened parts for long life.
- Efficient wet-armature construction.
- Cartridges are voltage interchangeable.
- Industry common cavity.
- Unitised, molded coil design.
- Continuous duty rated solenoid.
- Optional coil voltages and terminations.

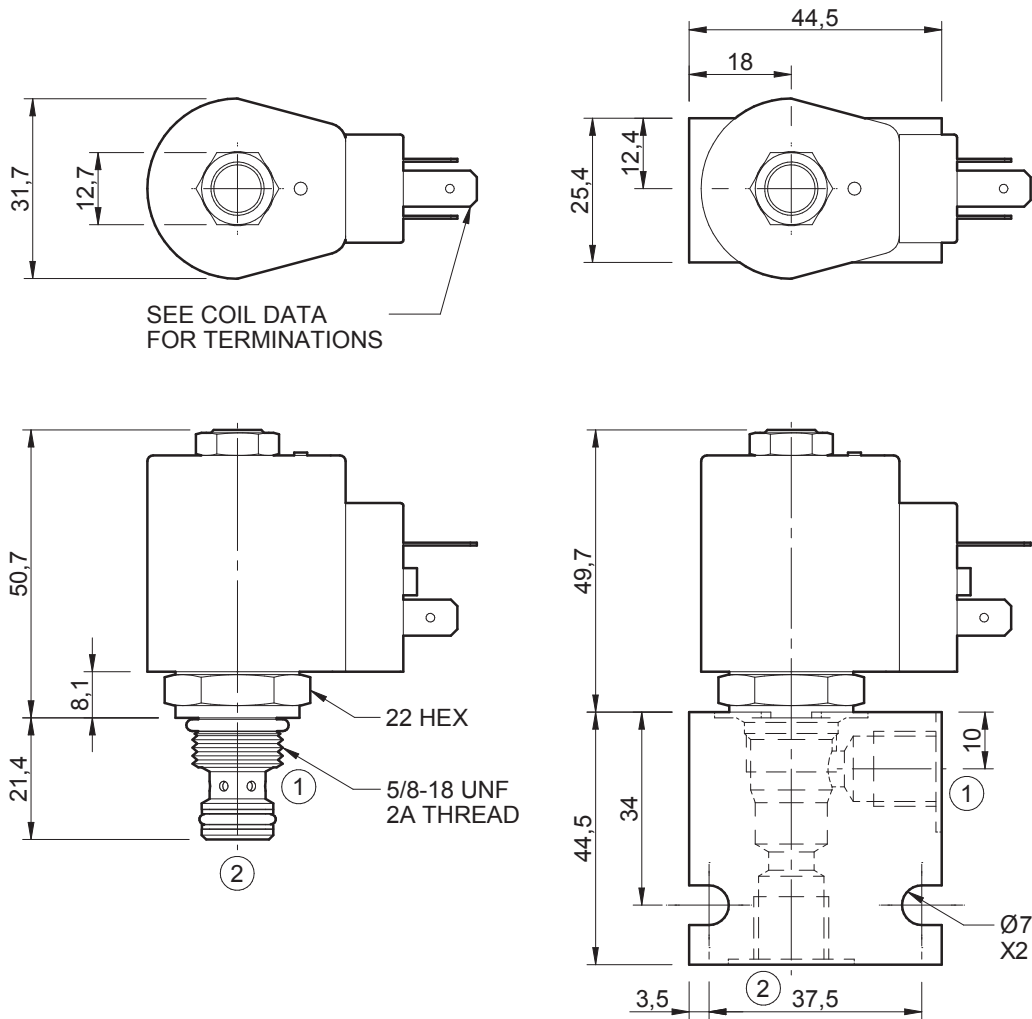

*For higher flows consult factory.*
**Performance**

32 cSt / 38°C.


**Specifications**

Max. Flow (lpm)	8
Max. pressure (bar)	275
Internal Leakage (32 cSt)	131 cc/min at 275 bar
Hydraulic oil	General purpose hydraulic fluid
Viscosity Range	3 to 640 cSt
Filtration	ISO 18/16/13
Operating temp.	-40 to 120°C
Voltage	DC / AC (see coil data page <b>Coil-M</b> )
Cartridge Torque	20 Nm
Coil Nut Torque	4 to 7 Nm
Cavity	MA07-2 (see cavity data page <b>CAV-MA07-2</b> )
Spare Seal Kit (Viton)	SK-DMAVHA
Weight - Cartridge only	0.06 kg
Weight - Cartridge + Coil	0.20 kg
Weight - Cartridge + Coil + Body	0.34 kg (alum) 0.59 kg (steel)

**Dimensions**  
[mm]



**Ordering Code**

**D-HAS2G**

Options	Coil termination	Voltage	Port size (BSP)	No. of ports	Body material
00 - Nitrile	DL - Double lead	06 - 6 Vdc	A - 1/4"	2 - 2 ports	A - Aluminium
V0 - Viton	DT - Deutsch on Leads DT04-2P	12 - 12 Vdc	B - 3/8"	Options - See page B-DMA	S - Steel
	ML - Metric-Pack on Leads	24 - 24 Vdc	Options - See page B-DMA		For pressures over 210 bar use steel.
	PL - Packard on Leads	36 - 36 Vdc			
	WL - Weatherpack on Leads	48 - 48 Vdc			
	SS - Single Spade	25 - 24 Vac			
	DS - Double Spade	11 - 120 Vac			
	HC - EN 175301-803* (AC&DC)	22 - 220 Vac			
	CL - Conduit Lead (AC Only)	44 - 440 Vac			
	Options - See page Coil-M	Options - See page Coil-M			
	Omit if coil is not required				

Note: Aluminium body NOT durability rated for 4000 PSI. Consult factory for body options.

\*Formerly DIN 43650 Hirschmann connector.