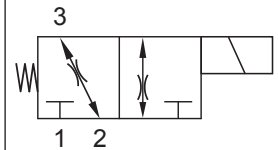


Up to 275 bar - 1.1 lpm

**Symbol**

**Operation**

This is a solenoid operated 3 way 2 position directional spool valve which can be used in a variety of ways to suit the desired control circuit.

Its compact size makes it ideal as a valve to pilot larger valves.

**Features**

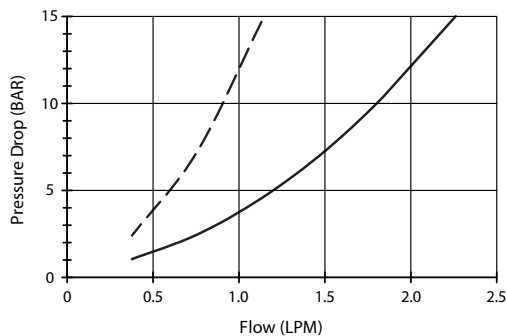
- Hardened parts for long life.
- Efficient wet-armature construction.
- Cartridges are voltage interchangeable.
- Industry common cavity.
- Unitised, molded coil design.
- Continuous duty rated solenoid.
- Optional coil voltages and terminations.



*Ideal for pilot control. Low leakage.*

**Performance**

32 cSt / 38°C.

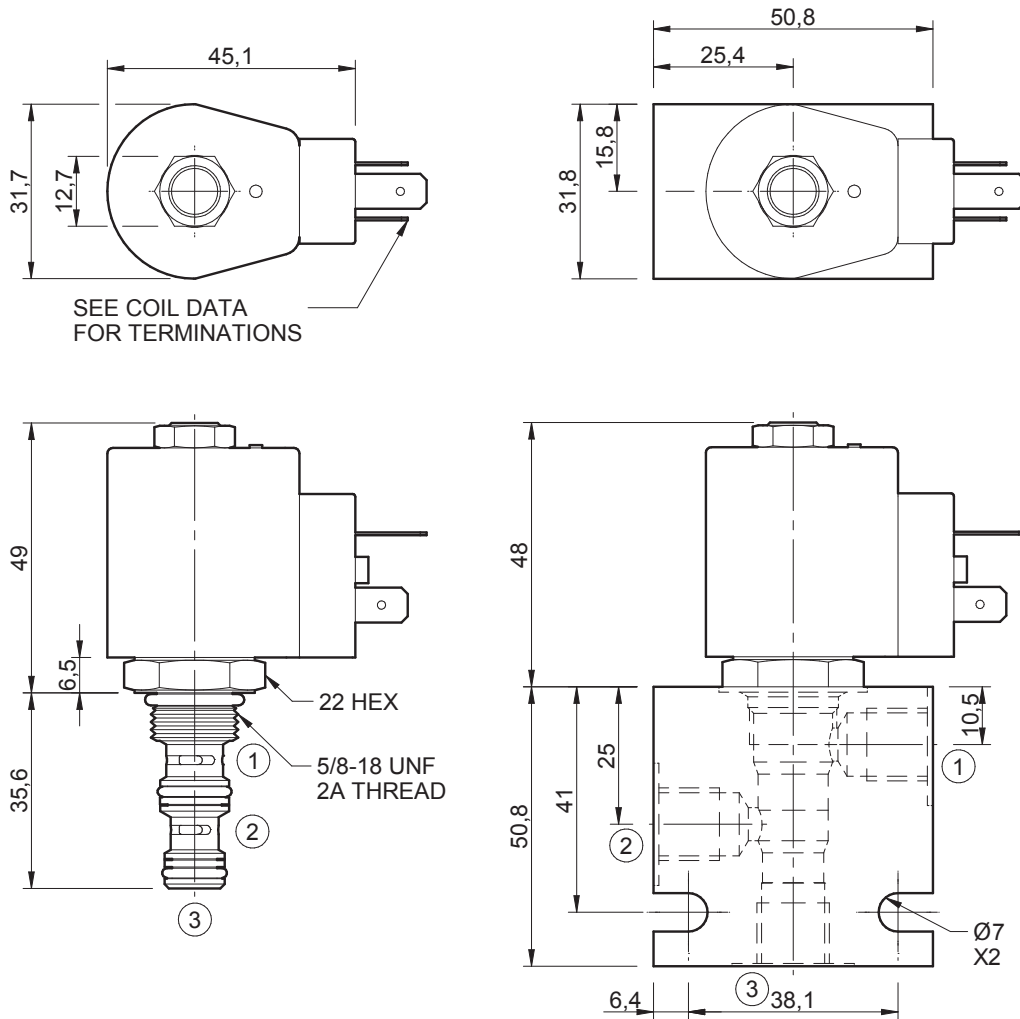


--- Port 1 to 3 (eng)      — Port 3 to 2 (de-eng)

**Specifications**

Nom. Flow (lpm)	1.1
Max. pressure (bar)	275
Internal Leakage (32 cSt)	49 cc/min
Hydraulic oil	General purpose hydraulic fluid
Viscosity Range	3 to 640 cSt
Filtration	ISO 18/16/13
Operating temp.	-40 to 120°C
Voltage	DC / AC (see coil data page <b>Coil-M</b> )
Cartridge Torque	20 Nm
Coil Nut Torque	4 to 7 Nm
Cavity	MC07-3 (see cavity data page <b>CAV-MC07-3</b> )
Spare Seal Kit (Viton)	SK-DMCVHAA
Weight - Cartridge only	0.07 kg
Weight - Cartridge + Coil	0.21 kg
Weight - Cartridge + Coil + Body	0.39 kg (alum) 0.74 kg (steel)

**Dimensions**  
[mm]



Coils can be fitted in any orientation.  
Refer to data sheet Coil-M for coil options.

**Ordering Code**

**D-HCS3P**

Options	Coil termination	Voltage	Port size (BSP)	No. of ports	Body material
00 - Nitrile	DL - Double lead	06 - 6 Vdc	A - 1/4"	3 - 3 ports	A - Aluminium
V0 - Viton	DT - Deutsch on Leads DT04-2P	12 - 12 Vdc	Options - See page B-DMC	Options - See page B-DMC	S - Steel
	ML - Metric-Pack on Leads	24 - 24 Vdc			
	PL - Packard on Leads	36 - 36 Vdc			
	WL - Weatherpack on Leads	48 - 48 Vdc			
	SS - Single Spade	25 - 24 Vac			
	DS - Double Spade	11 - 120 Vac			
	HC - EN 175301-803* (AC&DC)	22 - 220 Vac			
	CL - Conduit Lead (AC Only)	44 - 440 Vac			
	Options - See page Coil-M	Options - See page Coil-M			
	Omit if coil is not required				

\*Formerly DIN 43650 Hirschmann connector.