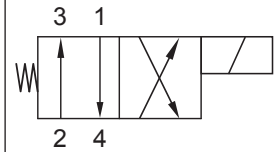


Up to 275 bar - 6 lpm

Symbol

Operation

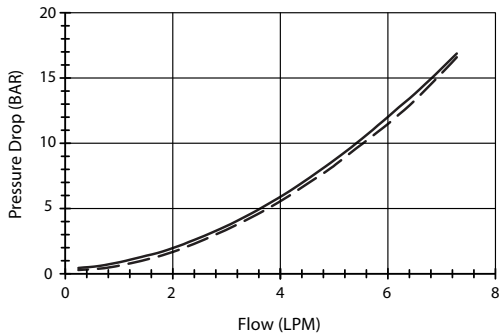
This is a solenoid operated 4 way 2 position directional spool valve. It is typically used for controlling a single acting cylinder or hydraulic motor.

Features

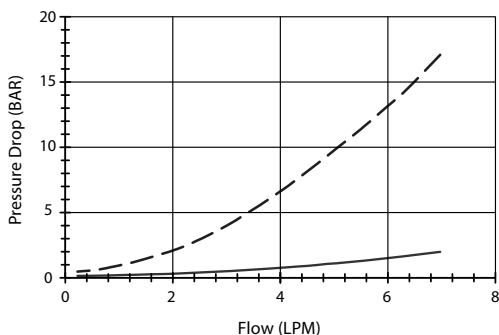
- Hardened parts for long life.
- Efficient wet-armature construction.
- Cartridges are voltage interchangeable.
- Industry common cavity.
- Unitised, molded coil design.
- Continuous duty rated solenoid.
- Optional coil voltages and terminations.

Performance

32 cSt / 38°C.



- - - Port 1 to 4 (de-eng) ——— Port 2 to 3 (de-eng)

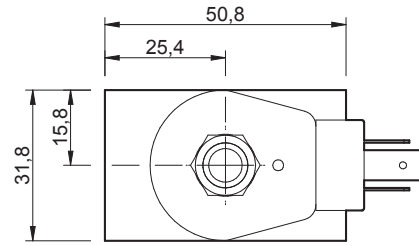
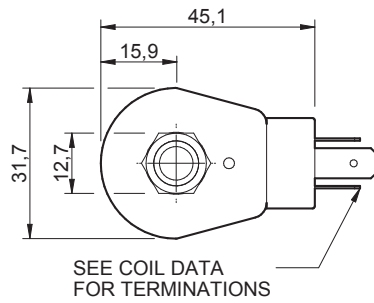


- - - Port 2 to 1 (eng) ——— Port 3 to 4 (eng)

Specifications

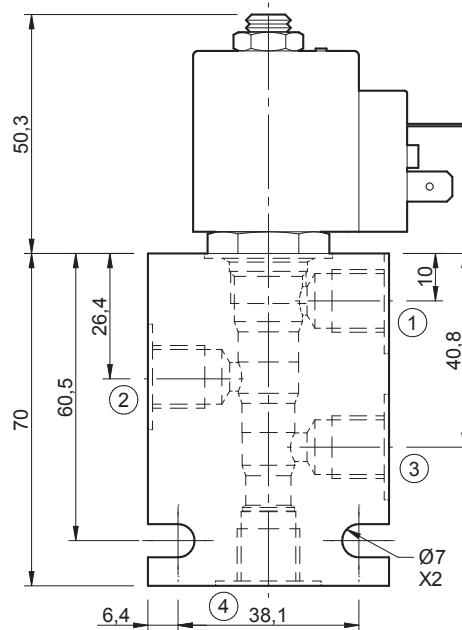
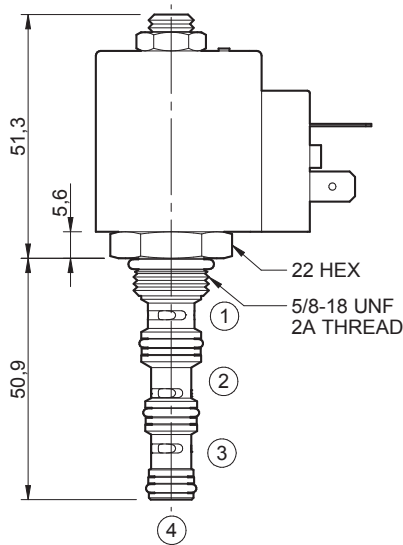
Nom. Flow (lpm)	6
Max. pressure (bar)	275
Internal Leakage (32 cSt)	131 cc/min per path
Hydraulic oil	General purpose hydraulic fluid
Viscosity Range	3 to 640 cSt
Filtration	ISO 18/16/13
Operating temp.	-40 to 120°C
Voltage	DC / AC (see coil data page Coil-M)
Cartridge Torque	20 Nm
Coil Nut Torque	4 to 7 Nm
Cavity	MD07-4 (see cavity data page MD07-4)
Seal Kit (Viton)	SK-DMDVHAAA
Weight - Cartridge only	0.07 kg
Weight - Cartridge + Coil	0.21 kg
Weight - Cartridge + Coil + Body	0.47 kg (alum) 0.95 kg (steel)

Dimensions
[mm]



SEE COIL DATA FOR TERMINATIONS

Coils can be fitted in any orientation.
Refer to data sheet **Coil-M** for coil options.



Ordering Code

D-HDS4A

	**	**	**	*	*	*
Options	Coil termination	Voltage	Port size (BSP)	No. of ports	Body material	
00 - Nitrile	DL - Double lead	06 - 6 Vdc	A - 1/4"	4 - 4 ports	A - Aluminium	
V0 - Viton	DT - Deutsch on Leads DT04-2P	12 - 12 Vdc	Options - See page B-DMD	Options - See page B-DMD	S - Steel	
	ML - Metric-Pack on Leads	24 - 24 Vdc			For pressures over 210 bar use steel.	
	PL - Packard on Leads	36 - 36 Vdc				
	WL - Weatherpack on Leads	48 - 48 Vdc				
	SS - Single Spade	25 - 24 Vac				
	DS - Double Spade	11 - 120 Vac				
	HC - EN 175301-803* (AC&DC)	22 - 220 Vac				
	CL - Conduit Lead (AC Only)	44 - 440 Vac				
	Options - See page Coil-M	Options - See page Coil-M				
	Omit if coil is not required					

*Formerly DIN 43650 Hirschmann connector.