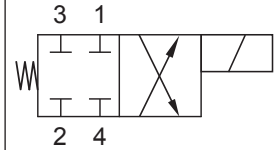


Up to 275 bar - 11 lpm

**Operation**

This is a solenoid operated 4 way 2 position closed centre spool valve. It is typically used for controlling a single acting cylinder or hydraulic motor.

**Symbol**

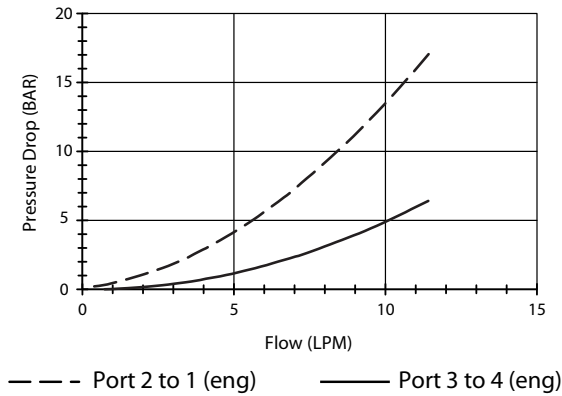


**Features**

- Hardened parts for long life.
- Efficient wet-armature construction.
- Cartridges are voltage interchangeable.
- Industry common cavity.
- Unitised, molded coil design.
- Continuous duty rated solenoid.
- Optional coil voltages and terminations.

**Performance**

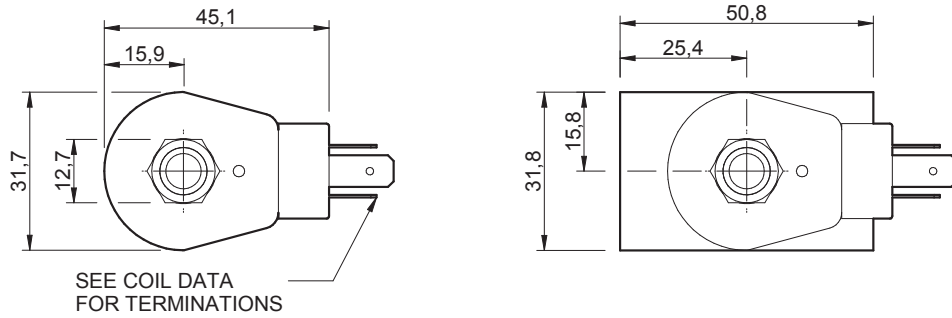
32 cSt / 38°C.



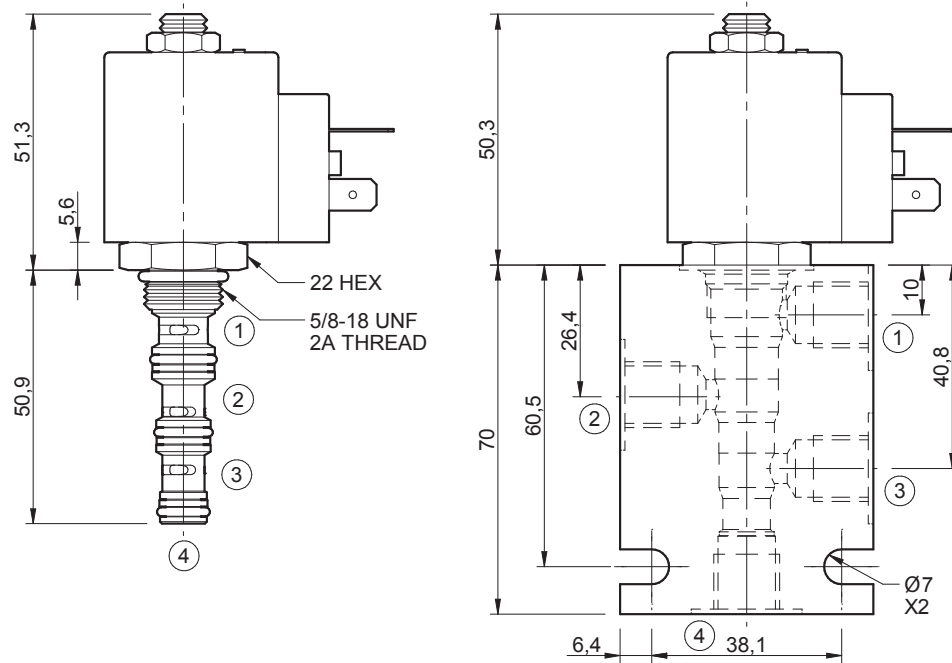
**Specifications**

Max. Flow (lpm)	11
Max. pressure (bar)	275
Internal Leakage (32 cSt)	131 cc/min per path
Hydraulic oil	General purpose hydraulic fluid
Viscosity Range	3 to 640 cSt
Filtration	ISO 18/16/13
Operating temp.	-40 to 120°C
Voltage	DC / AC (see coil data page <b>Coil-M</b> )
Cartridge Torque	20 Nm
Coil Nut Torque	4 to 7 Nm
Cavity	MD07-4 (see cavity data page <b>CAV-MD07-4</b> )
Seal Kit (Viton)	SK-DMDVHAAA
Weight - Cartridge only	0.07 kg
Weight - Cartridge + Coil	0.21 kg
Weight - Cartridge + Coil + Body	0.47 kg (alum) 0.95 kg (steel)

**Dimensions**  
[mm]



Coils can be fitted in any orientation.  
Refer to data sheet Coil-M for coil options.



**Ordering Code**

**D-HDS4B**

	**	**	**	*	*	*
<b>Options</b>	<b>Coil termination</b>	<b>Voltage</b>	<b>Port size (BSP)</b>	<b>No. of ports</b>	<b>Body material</b>	
00 - Nitrile	DL - Double lead	06 - 6 Vdc	A - 1/4"	4 - 4 ports	A - Aluminium	
V0 - Viton	DS - Double spade	12 - 12 Vdc	B - 3/8"	<b>Options -</b> See page B-DMD	S - Steel	
	HC - EN 175301-803* - Form B	24 - 24 Vdc	<b>Options -</b> See page B-DMD		<b>For pressures over 210 bar use steel.</b>	
	CL - Conduit lead (AC only)	36 - 36 Vdc				
	<b>Options -</b> See page Coil-M	48 - 48 Vdc				
	Omit if coil is not required	25 - 24 Vac				
		11 - 120 Vac				
		22 - 220 Vac				
		44 - 440 Vac				
		<b>Options -</b> See page Coil-M				

\*Formerly DIN 43650-B Hirschmann connector.