



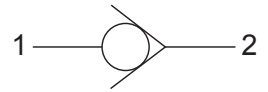
Up to 345 bar - 57 lpm

Operation

The D-HECVA allows free flow passage from (2) to (1), and blocks flow from (1) to (2).

The cartridge has a fully guided check poppet, which is spring-biased closed, until sufficient pressure is applied at (2) to open to (1).

Symbol

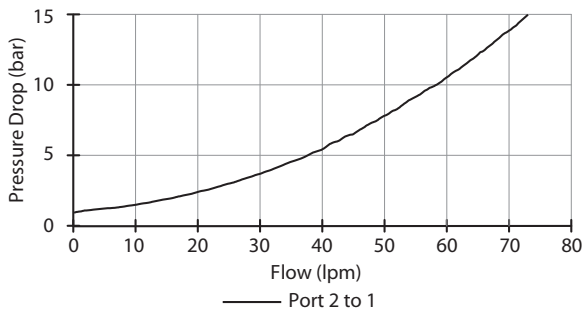


Features

- Hardened parts for long life and low leakage.
- Industry common cavity.
- Optional bias springs for backpressure application flexibility.
- Fully guided poppet assembly.

Performance

32 cSc / 38°C.

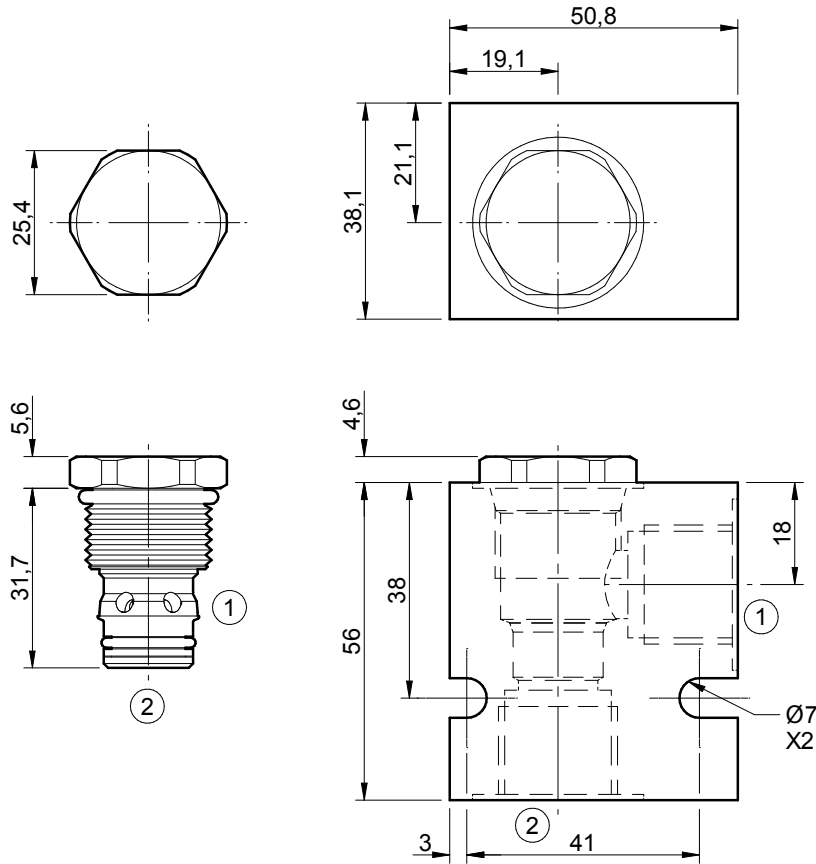


Specifications

Nom. Flow (lpm)	57
Max. Pressure (bar)	345
Internal Leakage (32 cSt)	0 to 0.25 cc/min
Hydraulic Oil	General purpose hydraulic fluid
Viscosity Range	3 to 640 cSt
Filtration	ISO 18/16/13
Operating Temp.	-40 to 120°C
Cartridge Torque	68 Nm
Cavity	DE10-2 (see cavity data page CAV-DE10-2)
Spare Seal Kit (Viton)	SK-DDEVHA
Weight - Valve only	0.07 kg
Weight - Valve + Body	0.30 kg (alum) 0.72 kg (steel)

Dimensions

[mm]



Ordering Code

