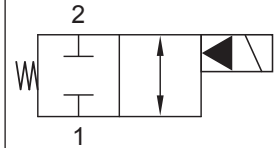




Up to 275 bar - 57 lpm

Operation

This is a solenoid operated 2 way normally closed poppet valve which is typically used to lock a load in position. When de-energized the D-HES2G blocks flow from (1) to (2) and (2) to (1). When energized the valve allows flow from (1) to (2) and (2) to (1).

Symbol

Features

- Hardened parts for long life.
- Efficient wet-armature construction.
- Cartridges are voltage interchangeable.
- Industry common cavity.
- Unitised, molded coil design.
- Continuous duty rated solenoid.
- Optional coil voltages and terminations.
- Optional "I" Coil: Weatherproof, Thermal, Shock, Immersion Safe.

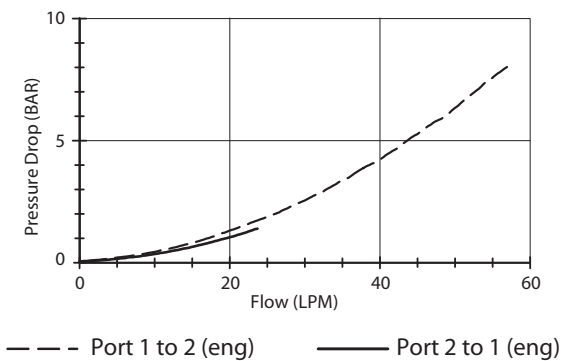


Uses "L" Coil.

For higher flows consult factory.

Performance

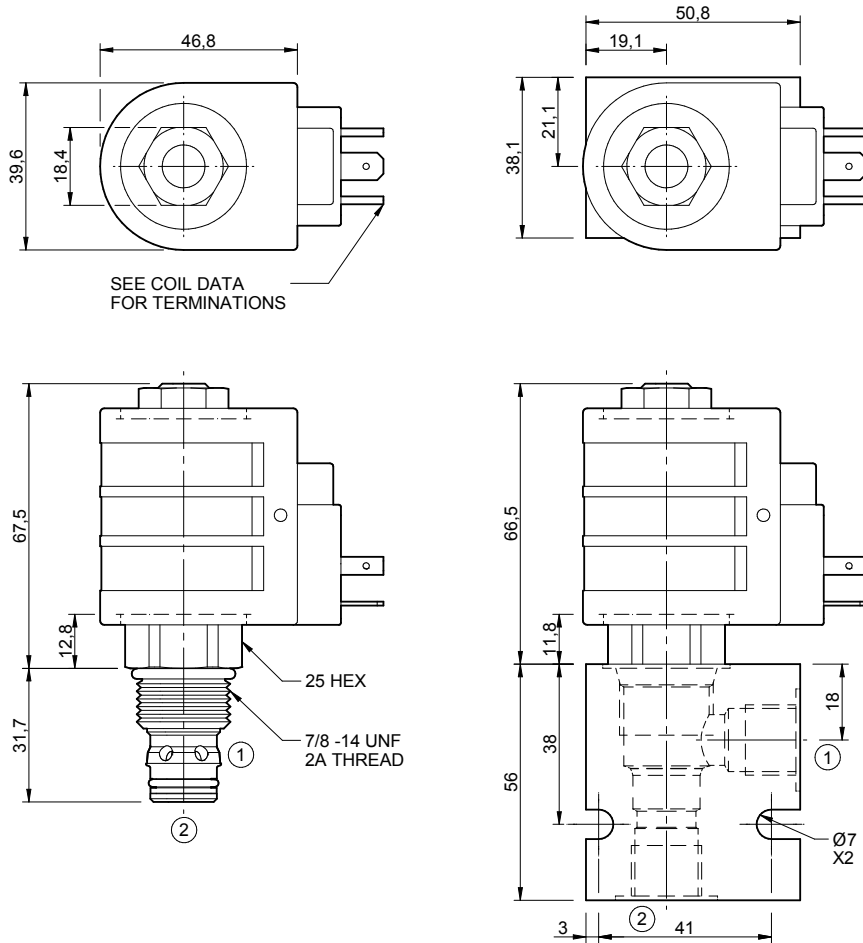
32 cSt / 38°C.


Specifications

Max. Flow (lpm)	57 from (1) to (2) 23 from (2) to (1)
Max. pressure (bar)	275
Internal Leakage (32 cSt)	131 cc/min @ 275 bar
Hydraulic oil	General purpose hydraulic fluid
Viscosity Range	3 to 640 cSt
Filtration	ISO 18/16/13
Operating temp.	-40 to 120°C
Voltage	DC / AC (see coil data page Coil-L)
Cartridge Torque	41 Nm
Coil Nut Torque	5 to 8 Nm
Cavity	DE10-2 (see cavity data page CAV-DE10-2)
Spare Seal Kit (Viton)	SK-DHEVHA
Weight - Cartridge only	0.17 kg
Weight - Cartridge + Coil	0.48 kg
Weight - Cartridge + Coil + Body	0.71 kg (alum) 1.13 kg (steel)

Dimensions

[mm]



Coils can be fitted in any orientation.

Refer to data sheet Coil-L for coil options.

D-HES2G

Options	Coil termination	Voltage	Port size (BSP)	No. of ports	Body material
00 - Nitrile	DL - Double lead	06 - 06 Vdc	B - 3/8"	2 - 2 ports	A - Aluminium
V0 - Viton	DT - Deutsch on Leads DT04-2P	12 - 12 Vdc	C - 1/2"	Options - See page B-DDE	S - Steel
	ML - Metric-Pack on Leads	24 - 24 Vdc	Options - See page B-DDE		For pressures over 210 bar use steel.
	PL - Packard on Leads	36 - 36 Vdc			
	WL - Weatherpack on Leads	48 - 48 Vdc			
	SS - Single spade	25 - 24 Vac			
	DS - Double spade	11 - 120 Vac			
	HC - EN 175301-803* (AC&DC)	22 - 220 Vac			
	CL - Conduit Lead - (AC Only)	44 - 440 Vac			
	DI - Deutsch	Options - See page Coil-L			
	'I' coils (12 & 24 volts only) weather/immersion proof (IP69)				
	IA - AMP superseal				
	ID - Deutsch				
	IJ - AMP Jr. Timer				
	IM - Metripak				
	Options - See page Coil-L				
	Omit if coil is not required				

*Formerly DIN 43650 Hirschmann connector.