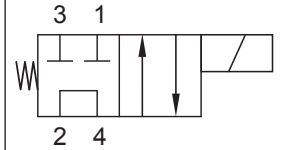


Up to 275 bar - 30 lpm

Symbol



Operation

This is a solenoid operated 4 way 2 position closed centre spool valve with all ports closed in the de-energised position. When de-energised the D-HGS4C allows flow between (2) and (4) and blocks the flow at (1) and (3). When energised the valve allows flow from (2) to (3) and from (1) to (4).

Features

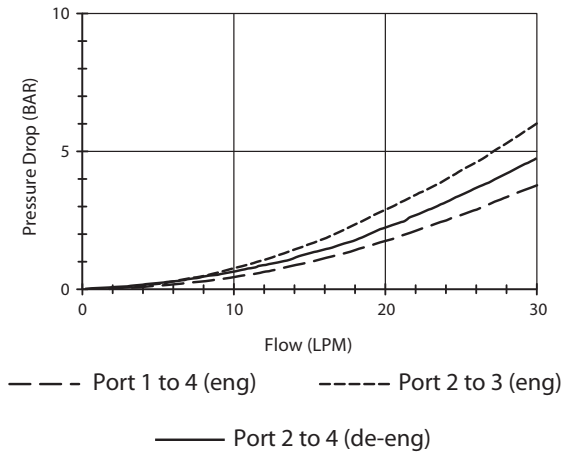
- Hardened parts for long life.
- Efficient wet-armature construction.
- Cartridges are voltage interchangeable.
- Industry common cavity.
- Unitised, molded coil design.
- Continuous duty rated solenoid.
- Optional coil voltages and terminations.
- Optional "I" Coil: Weatherproof, Thermal, Shock, Immersion Safe.



Uses "L" Coil.
For higher flows consult factory.

Performance

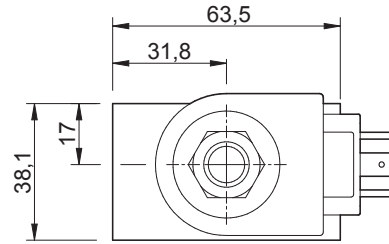
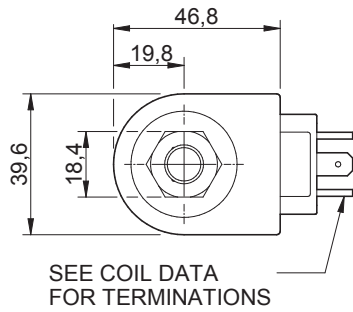
32 cSt / 38°C.



Specifications

Max. Flow (lpm)	30
Max. pressure (bar)	275
Internal Leakage (32 cSt)	164 cc/min per path
Hydraulic oil	General purpose hydraulic fluid
Viscosity Range	3 to 640 cSt
Filtration	ISO 18/16/13
Operating temp.	-40 to 120°C
Voltage	DC / AC (see coil data page Coil-L)
Cartridge Torque	47 Nm
Coil Nut Torque	5 to 8 Nm
Cavity	DG10-4 (see cavity data page CAV-DG10-4)
Spare Seal Kit (Viton)	SK-DDGVHDDD
Weight - Cartridge only	0.20 kg
Weight - Cartridge + Coil	0.51 kg
Weight - Cartridge + Coil + Body	0.97 kg (alum) 1.84 kg (steel)

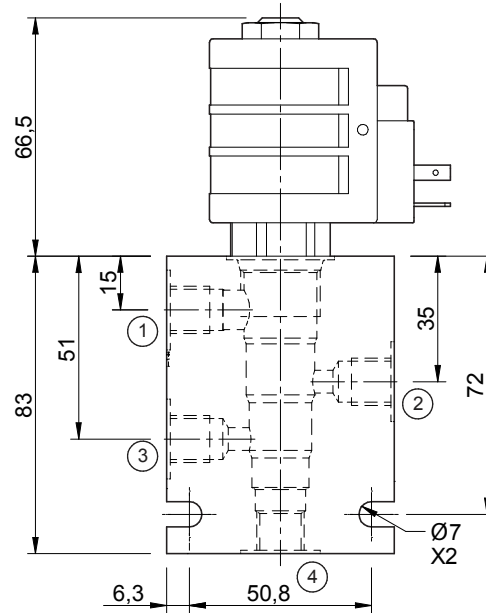
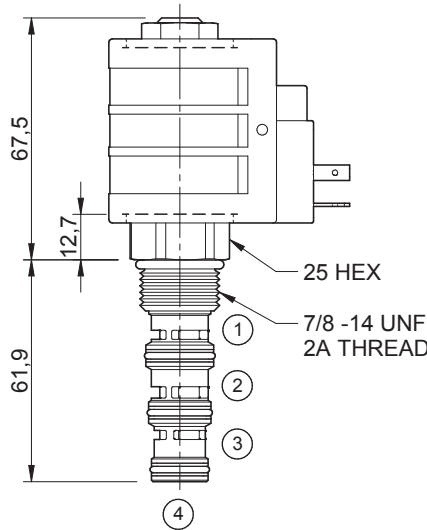
Dimensions
[mm]



SEE COIL DATA FOR TERMINATIONS

Coils can be fitted in **any** orientation.

Refer to data sheet Coil-L for coil options.



Ordering Code

D-HGS4C

	**	**	**	*	*	*
Options	Coil termination	Voltage	Port size (BSP)	No. of ports	Body material	
00 - Nitrile	DL - Double lead	06 - 06 Vdc	A - 1/4"	4 - 4 ports	A - Aluminium	
V0 - Viton	DT - Deutsch on Leads DT04-2P	12 - 12 Vdc	B - 3/8"	Options - See page B-DDG	S - Steel	
	ML - Metric-Pack on Leads	24 - 24 Vdc	Options - See page B-DDG		For pressures over 210 bar use steel.	
	PL - Packard on Leads	36 - 36 Vdc				
	WL - Weatherpack on Leads	48 - 48 Vdc				
	SS - Single spade	25 - 24 Vac				
	DS - Double spade	11 - 120 Vac				
	HC - EN 175301-803* (AC&DC)	22 - 220 Vac				
	CL - Conduit Lead - (AC Only)	44 - 440 Vac				
	DI - Deutsch	Options - See page Coil-L				
	'I' coils (12 & 24 volts only) weather/immersion proof (IP69)					
	IA - AMP superseal					
	ID - Deutsch					
	IJ - AMP Jr. Timer					
	IM - Metripak					
	Options - See page Coil-L					
	Omit if coil is not required					

*Formerly DIN 43650 Hirschmann connector.