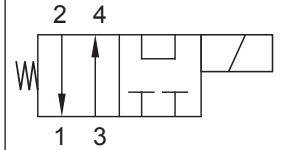


Up to 275 bar - 30 lpm

Operation

When de-energised the D-HGS4E allows flow from (1) to (2) and from (3) to (4). When energised the valve allows flow from (2) to (4) and blocks flow at (1) and (3).

Symbol



Features

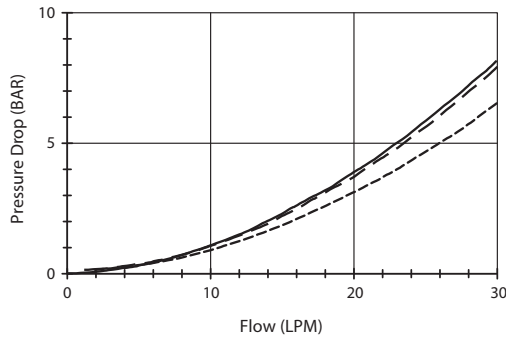
- Hardened parts for long life.
- Efficient wet-armature construction.
- Cartridges are voltage interchangeable.
- Industry common cavity.
- Unitised, molded coil design.
- Continuous duty rated solenoid.
- Optional coil voltages and terminations.
- Optional "I" Coil: Weatherproof, Thermal, Shock, Immersion Safe.



Uses "L" Coil.
For higher flows consult factory.

Performance

32 cSt / 38°C.

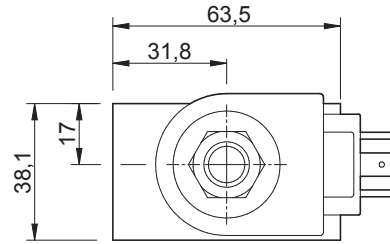
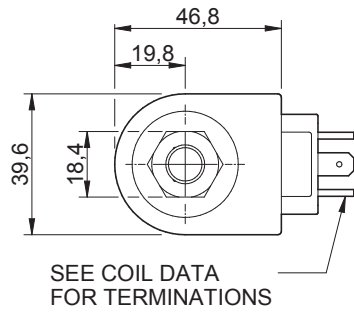


----- Port 2 to 1 (de-eng) - - - Port 3 to 4 (de-eng)
————— Port 2 to 4 (eng)

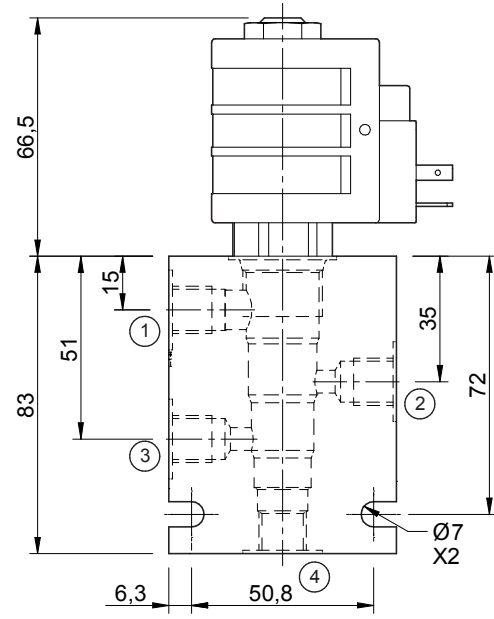
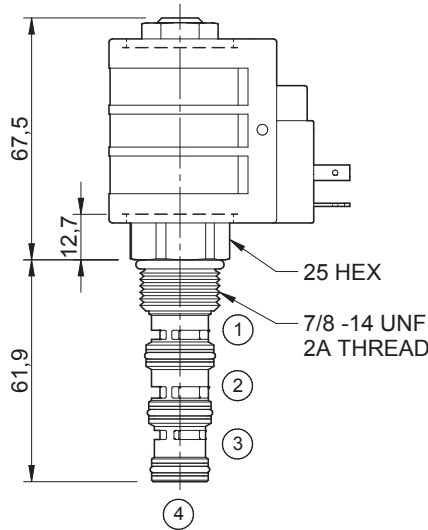
Specifications

| | |
|----------------------------------|--|
| Max. Flow (lpm) | 30 |
| Max. pressure (bar) | 275 |
| Internal Leakage (32 cSt) | 164 cc/min per path |
| Hydraulic oil | General purpose hydraulic fluid |
| Viscosity Range | 3 to 640 cSt |
| Filtration | ISO 18/16/13 |
| Operating temp. | -40 to 120°C |
| Voltage | DC / AC (see coil data page Coil-L) |
| Cartridge Torque | 47 Nm |
| Coil Nut Torque | 5 to 8 Nm |
| Cavity | DG10-4 (see cavity data page CAV-DG10-4) |
| Seal Kit (Viton) | SK-DDGVHDDD |
| Weight - Cartridge only | 0.20 kg |
| Weight - Cartridge + Coil | 0.51 kg |
| Weight - Cartridge + Coil + Body | 0.97 kg (alum) 1.84 kg (steel) |

Dimensions
[mm]



Coils can be fitted in any orientation.
Refer to data sheet Coil-L for coil options.



Ordering Code

D-HGS4E

| | | | | | | |
|----------------------------|---|---|--|---|---|---|
| | ** | ** | ** | * | * | * |
| Options | Coil termination | Voltage | Port size (BSP) | No. of ports | Body material | |
| 00 - Nitrile V0 - Viton | DL - Double lead DS - Double spade HC - EN 175301-803* Options - See page Coil-D Omit if coil is not required | 06 - 06 Vdc 12 - 12 Vdc 24 - 24 Vdc 36 - 36 Vdc 48 - 48 Vdc 25 - 24 Vac 11 - 120 Vac 22 - 220 Vac 44 - 440 Vac Options - See page Coil-L | A - 1/4" B - 3/8" Options - See page B-DDG | 4 - 4 ports Options - See page B-DDG | A - Aluminium S - Steel For pressures over 210 bar use steel. | |

*Formerly DIN 43650 Hirschmann connector.