

Up to 210 bar - 11 lpm

**Symbol**

**Operation**


The cartridge maintains a constant flow rate out of (1) regardless of load pressure changes in the circuit downstream of (1).

The adjustable control differential spring load can be set to customer flow specification (see options for ranges).

The valve begins to respond to load changes when the flow through the valve creates a pressure differential from (2) to (1) greater than 14 bar with accurate flow maintenance from 14 to 210 bar.

Reverse flow (1) to (2) returns through the control orifice and is non-compensated.

**Adjustment**

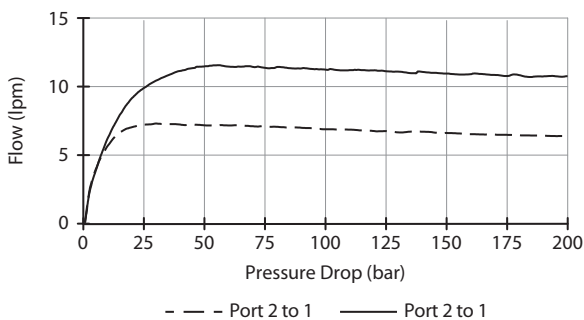
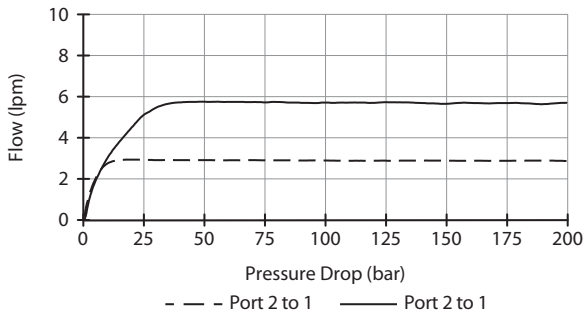
Turn  to increase flow.

**Features**

- Hardened parts for long life.
- Industry common cavity.
- Fine low-torque adjustment.

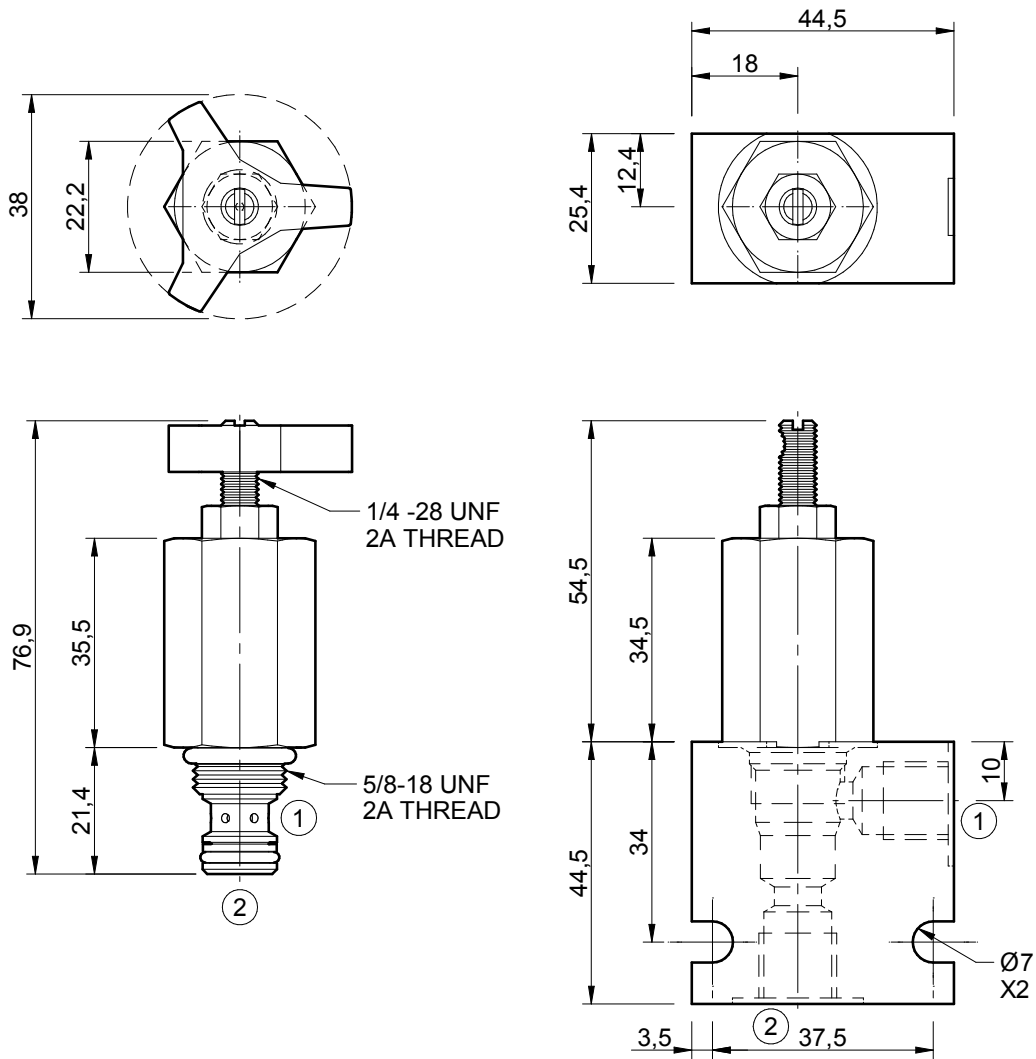
**Performance**

32 cSc / 38°C.


**Specifications**

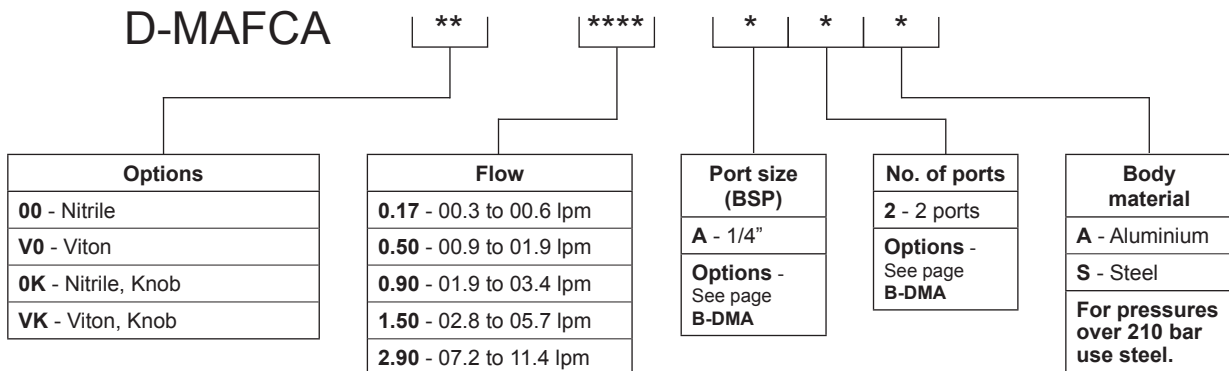
Nom. Flow (lpm)	11
Max. Pressure (bar)	210
Hydraulic Oil	General purpose hydraulic fluid
Viscosity Range	3 to 640 cSt
Filtration	ISO 18/16/13
Operating Temp.	-40 to 120°C
Cartridge Torque	20 Nm
Cavity	MA07-2 (see cavity data page <a href="#">CAV-MA07-2</a> )
Spare Seal Kit (Viton)	SK-DMAVHA
Weight - Valve only	0.13 kg
Weight - Valve + Body	0.27 kg (alum) 0.45 kg (steel)

**Dimensions**  
[mm]



**Ordering Code**

**D-MAFCA**



<b>Knob Part No.</b>
PT-KN22020080