

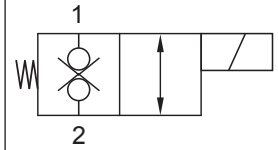
Up to 210 bar - 0.95 lpm

Operation

This is a solenoid operated 2 way normally closed bi-directional poppet valve. In the de-energised position flow is locked in both directions. When energised this valve will allow flow in both directions.

It can be used as a load holding valve as well as providing directional control. It is also ideal for giving control on a pilot circuit.

Symbol

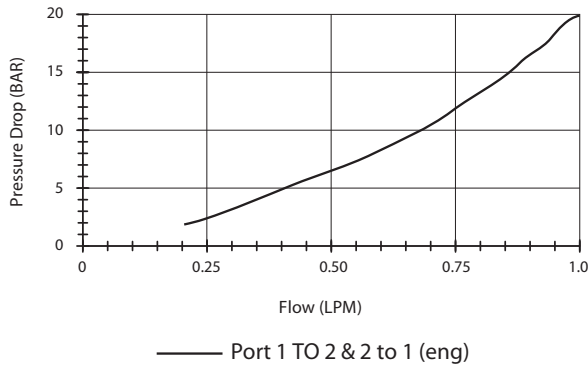


Features

- Hardened parts for long life.
- Efficient wet-armature construction.
- Cartridges are voltage interchangeable.
- Manual override options.
- Industry common cavity.
- Unitised, molded coil design.
- Continuous duty rated solenoid.
- Optional coil voltages and terminations.

Performance

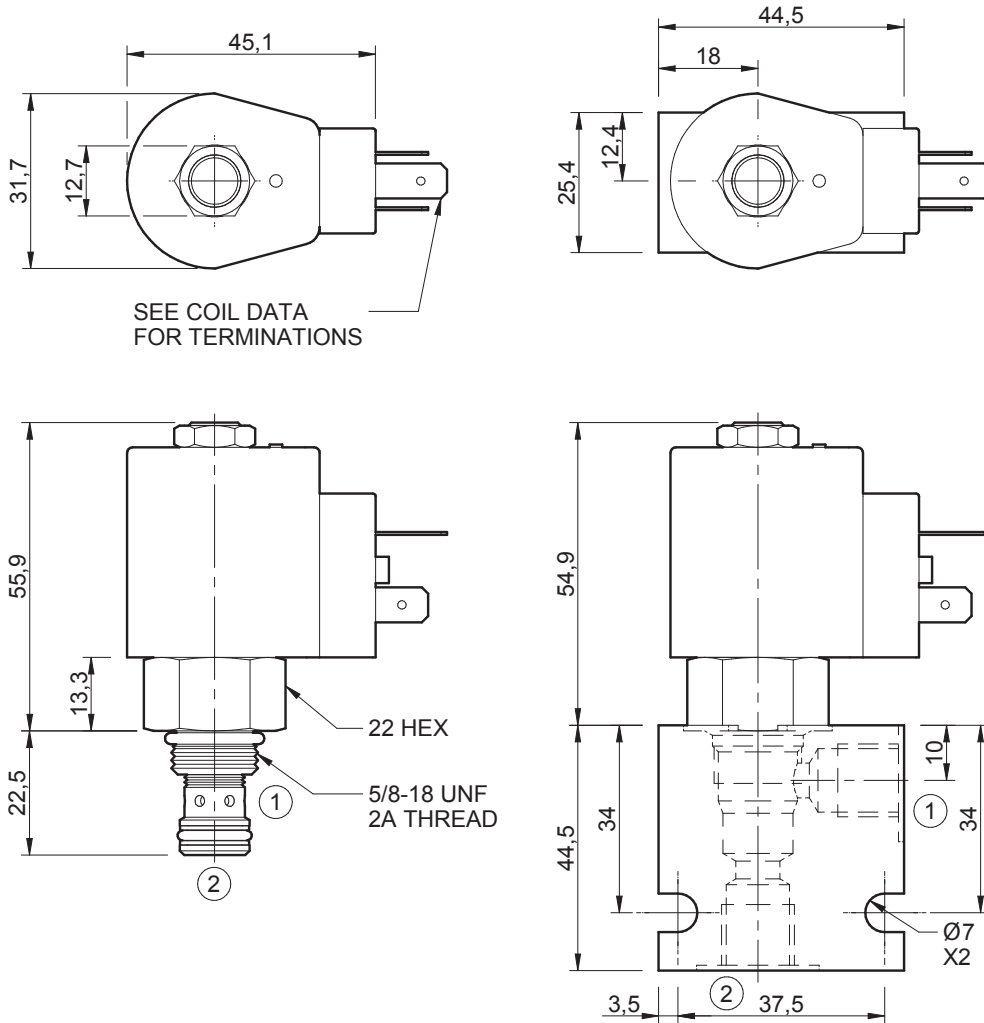
32 cSt / 38°C.



Specifications

Nom. Flow (lpm)	0.95
Max. pressure (bar)	210
Internal Leakage (32 cSt)	0 to 0.50 cc/min at 210 bar
Hydraulic oil	General purpose hydraulic fluid
Viscosity Range	3 to 640 cSt
Filtration	ISO 18/16/13
Operating temp.	-40 to 120°C
Voltage	DC / AC (see coil data page Coil-M)
Cartridge Torque	20 Nm
Coil Nut Torque	4 to 7 Nm
Cavity	MA07-2 (see cavity data page CAV-MA07-2)
Spare Seal Kit (Viton)	SK-DMAVHA
Weight - Cartridge only	0.08 kg
Weight - Cartridge + Coil	0.22 kg
Weight - Cartridge + Coil + Body	0.36 kg (alum) 0.61 kg (steel)

Dimensions
[mm]



Coils can be fitted in any orientation.
Refer to data sheet Coil-M for coil options.

Ordering Code

D-MAS2E

Options	Coil termination	Voltage	Port size (BSP)	No. of ports	Body material
00 - Nitrile	DL - Double lead	12 - 12 Vdc	A - 1/4"	2 - 2 ports	A - Aluminium
V0 - Viton	DS - Double spade	24 - 24 Vdc	Options - See page B-DMA	Options - See page B-DMA	S - Steel
	HC - EN 175301-803*	48 - 48 Vdc			For pressures over 210 bar use steel.
	CL - Conduit lead	25 - 24 Vac			
	Options - See page Coil-M	11 - 110 Vac			
	Omit if coil is not required	23 - 240 Vac			
		Options - See page Coil-M			

*Formerly DIN 43650 Hirschmann connector.