

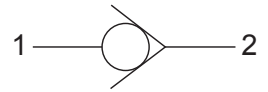


Up to 240 bar - 38 lpm

Operation

The D-PBCVC allows free flow passage from (2) to (1), and blocks flow from (1) to (2).

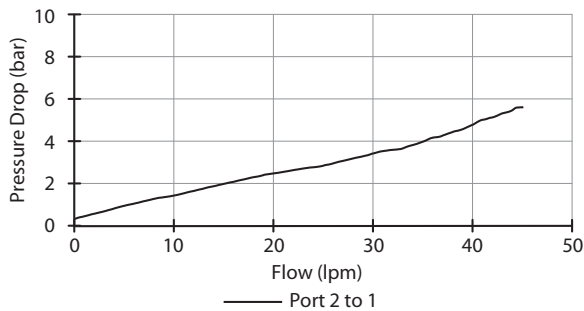
The cartridge has a fully guided hardened ball, which is spring-biased closed, until sufficient pressure is applied at (2) to open to (1).

Symbol

Features

- Hardened parts for long life and low leakage.
- Industry common cavity.
- Fully guided ball assembly.
- Optional bias springs for backpressure application flexibility.

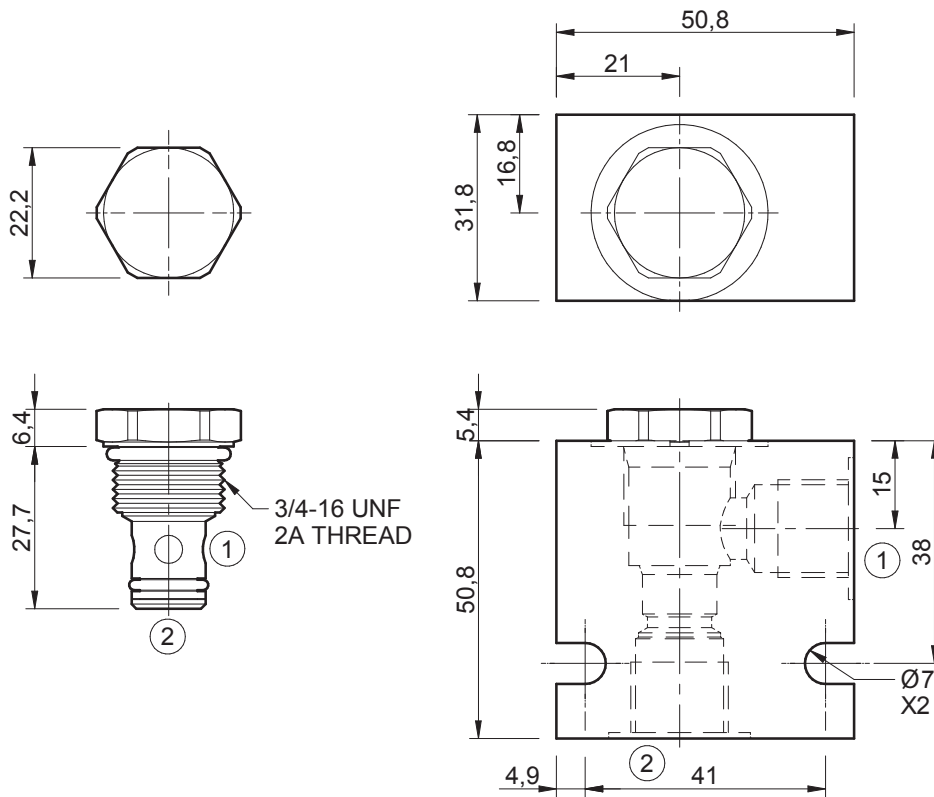
Performance

32 cSc / 38°C.


Specifications

Nom. Flow (lpm)	38
Max. Pressure (bar)	240
Internal Leakage (32 cSt)	0 to 0.25 cc/min
Hydraulic Oil	General purpose hydraulic fluid
Viscosity Range	3 to 640 cSt
Filtration	ISO 18/16/13
Operating Temp.	-40 to 120°C
Cartridge Torque	34 Nm
Cavity	PB08-2 (see cavity data page CAV-PB08-2)
Spare Seal Kit (Viton)	SK-DPBVHA
Weight - Valve only	0.05 kg
Weight - Valve + Body	0.23 kg (alum) 0.56 kg (steel)

Dimensions
[mm]



Ordering Code

