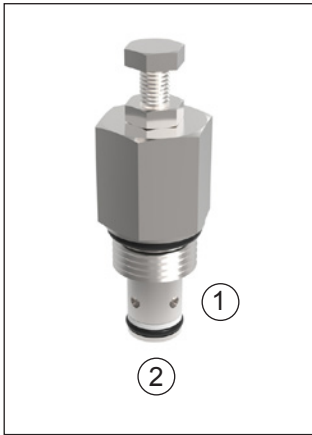


### Flow Control.

Adjustable Flow Control Valve, Pressure Compensated - Size 08.

D-PBFCA



Up to 240 bar - 15 lpm

### Symbol




This is an adjustable, fixed orifice type, pressure compensated flow control which can be used to control flow regardless of varying load pressures for both meter-in and meter-out applications. Where load pressure and inlet flow are relatively constant the valve can be used to provide accurate control in bleed-off circuits. The valves are adjustable within pre-selected flow ranges.

### Operation

The cartridge maintains a constant flow rate out of (1) regardless of load pressure changes in the circuit downstream of (1). The adjustable control differential spring load can be set to customer flow specification (see options for ranges). The valve begins to respond to load changes when the flow through the valve creates a pressure differential from (2) to (1), greater than 14 bar, with accurate flow maintenance from 14 to 240 bar. Reverse flow (1) to (2) returns through the control orifice and is non-compensated.

### Adjustment

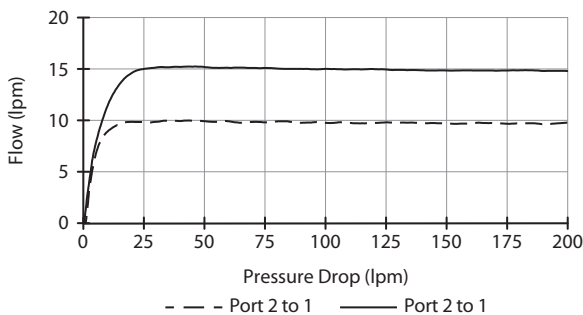
Turn  to increase flow.

### Features

- Hardened parts for long life.
- Industry common cavity.
- Fine low-torque adjustment.

### Performance

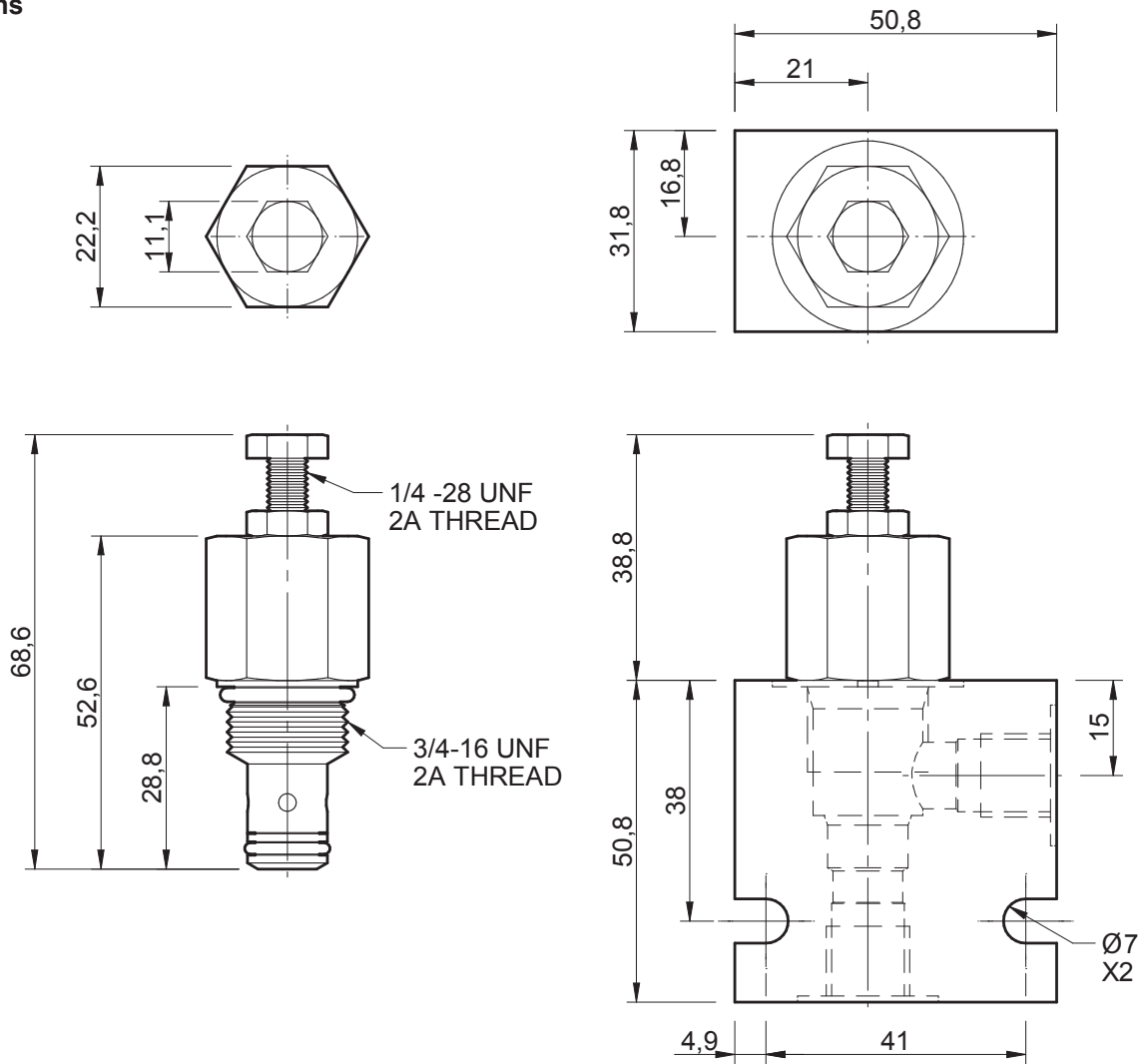
32 cSc / 38°C.



### Specifications

Nom. Flow (lpm)	15
Max. Pressure (bar)	240
Hydraulic Oil	General purpose hydraulic fluid
Viscosity Range	3 to 640 cSt
Filtration	ISO 18/16/13
Operating Temp.	-40 to 120°C
Cartridge Torque	34 Nm
Cavity	PB08-2 (see cavity data page <a href="#">CAV-PB08-2</a> )
Spare Seal Kit (Viton)	SK-DPBVHA
Weight - Valve only	0.12 kg
Weight - Valve + Body	0.30 kg (alum) 0.63 kg (steel)

**Dimensions**  
[mm]



**Ordering Code**

D-PBFCA

