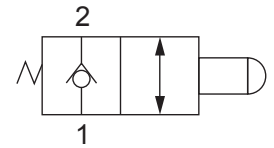




Up to 240 bar - 45 lpm

Symbol


This normally closed, pull-to-open / spring return, poppet valve is typically used for blocking or load holding circuits. The valve can be manually pulled open with its knob option or opened mechanically (e.g. by cable).

Operation

The D-PBMCA blocks flow from (1) to (2) until an operator pulls the shaft outward. The bias spring (see option page for pressure) allows for backpressure at (2) before the valve will open. Note: Pressure at port (2) will act directly on the poppet and spring. Port (2) is intended to be a tank port only.

Features

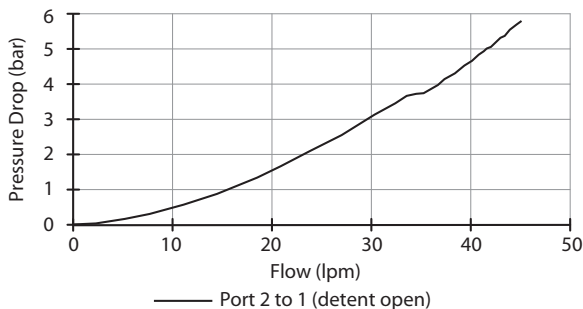
- Hardened parts for long life.
- Industry common cavity
- Optional bias springs for backpressure application flexibility.



*5 bar (75 psi) bias provides comfortable effort where return line is near zero.
11 bar (150 psi) option may be difficult to pull, if tank pressure is near zero.*

Performance

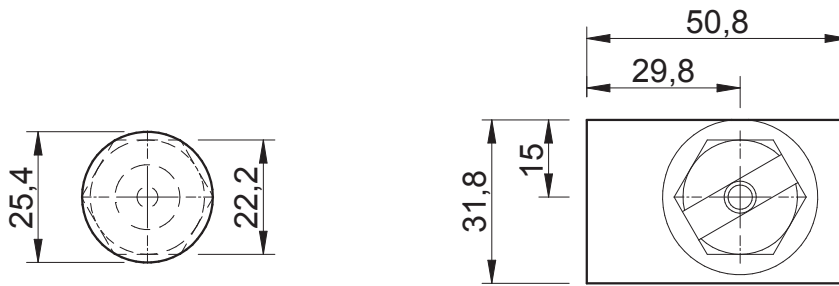
32 cSc / 38°C.


Specifications

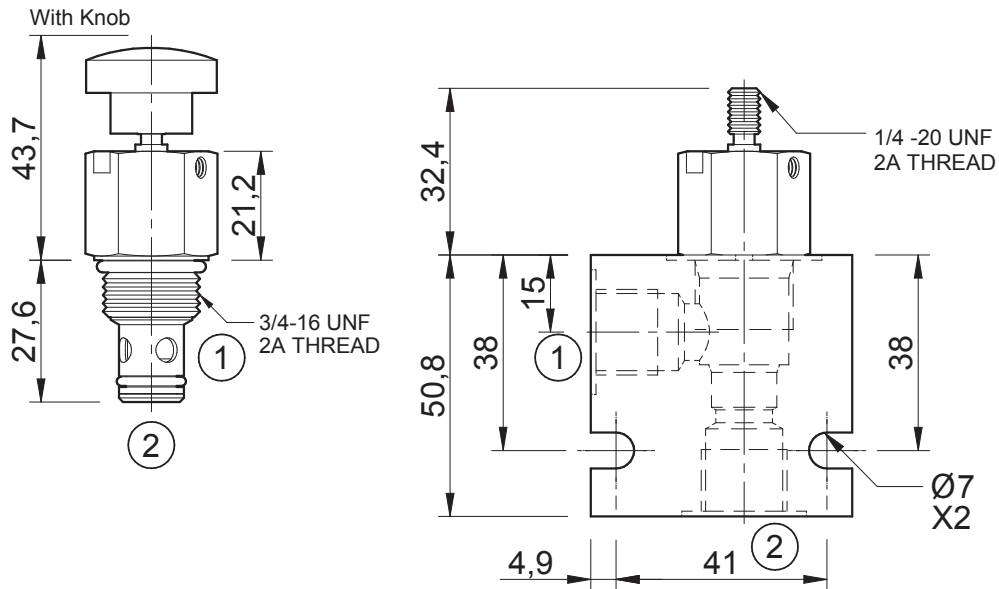
Nom. Flow (lpm)	45
Max. Pressure (bar)	240
Internal Leakage (32 cSt)	0 to 0.25 cc/min
Hydraulic Oil	General purpose hydraulic fluid
Viscosity Range	3 to 640 cSt
Filtration	ISO 18/16/13
Operating Temp.	-40 to 120°C
Cartridge Torque	34 Nm
Cavity	PB08-2 (see cavity data page CAV-PB08-2)
Spare Seal Kit (Viton)	SK-DPBVHA
Weight - Valve only	0.10 kg
Weight - Valve + Body	0.28 kg (alum) 0.61 kg (steel)

Dimensions

[mm]


To Override

Pull knob.


Ordering Code
D-PBMCA

Options	Spring bias pressure	Port size (BSP)	No. of ports	Body material
00 - Nitrile	0075 - 5 bar (75 psi)	A - 1/4"	2 - 2 ports	A - Aluminium
V0 - Viton	0150 - 11 bar (150 psi)	B - 3/8"	Options - See page B-PB08-2	S - Steel
A0 - Nitrile, screen	NOTE: Pressure above SPRING BIAS PRESSURE at port (2) may cause valve to self open	Options - See page B-PB08-2	For pressures over 210 bar use steel.	
W0 - Viton, screen				
0K - Nitrile, knob				
VK - Viton, knob				
AK - Nitrile, knob, screen				
WK - Viton, knob, screen				
0D - Nitrile, detent				
VD - Viton, detent				
AD - Nitrile, screen, detent				
WD - Viton, screen, detent				
1D - Nitrile, knob, detent				
2D - Viton, knob, detent				
3D - Nitrile, knob, screen, detent				
4D - Viton, knob, screen, detent.				
	Knob Part No.			
	PT-KN34502024			

NOTE: Use screen only if flow direction is from (1) to (2).