

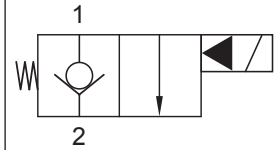
Up to 240 bar - 30 lpm


Operation

This is a solenoid operated 2 way normally closed poppet valve which is typically used to lock a load in position or block flow. When energised the poppet opens and releases the load from 1 to 2. De-energised the valve allows free flow from 2 to 1.

In the energised position it should be noted that 2 to 1 flow is restricted to only a pilot flow rate. If free flow is required in both directions when energised, valve type S2B should be used.

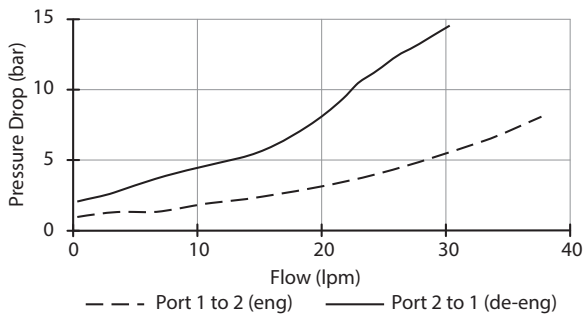
Manual override options available.

Symbol

Features

- Hardened parts for long life.
- Efficient wet-armature construction.
- Cartridges are voltage interchangeable.
- Manual override options.
- Industry common cavity.
- Unitised, molded coil design.
- Continuous duty rated solenoid.
- Optional coil voltages and terminations.
- Optional "I" Coil: Weatherproof, Thermal, Shock, Immersion Safe.

Performance

32 cSt / 38°C.

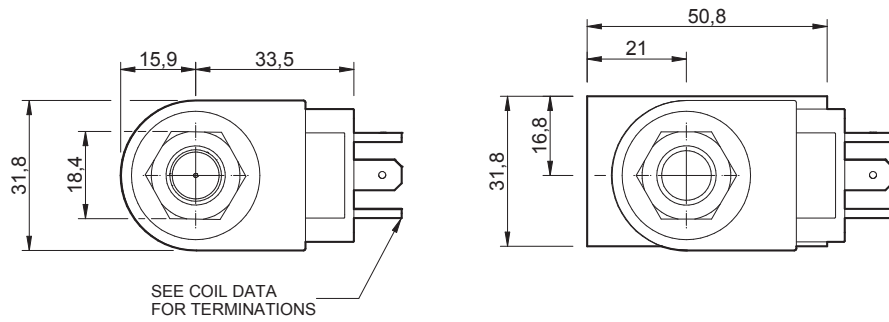

Specifications

Nom. Flow (lpm)	30
Max. Pressure (bar)	240
Internal Leakage (32 cSt)	0 to 0.25 cc/min at 240 bar
Hydraulic Oil	General purpose hydraulic oil
Viscosity Range	3 to 640 cSt
Filtration	ISO 18/16/13
Operating Temp.	-40 to 120°C
Voltage	DC / AC (see coil data page Coil-P)
Cartridge Torque	34 Nm
Coil Nut Torque	6 to 8 Nm (max.)
Cavity	PB08-2 (see cavity data page CAV-PB08-2)
Spare Seal Kit (Viton)	SK-DPBVHA
Weight - Cartridge only	0.09 kg
Weight - Cartridge + Coil	0.28 kg
Weight - Cartridge + Coil + Body	0.46 kg (alum) 0.79 kg (steel)

Energisation Chart

Solenoid	Flow Direction	
	1 → 2	2 → 1
De-energised	Load holding	Free flow
Energised	Free flow	Restricted flow

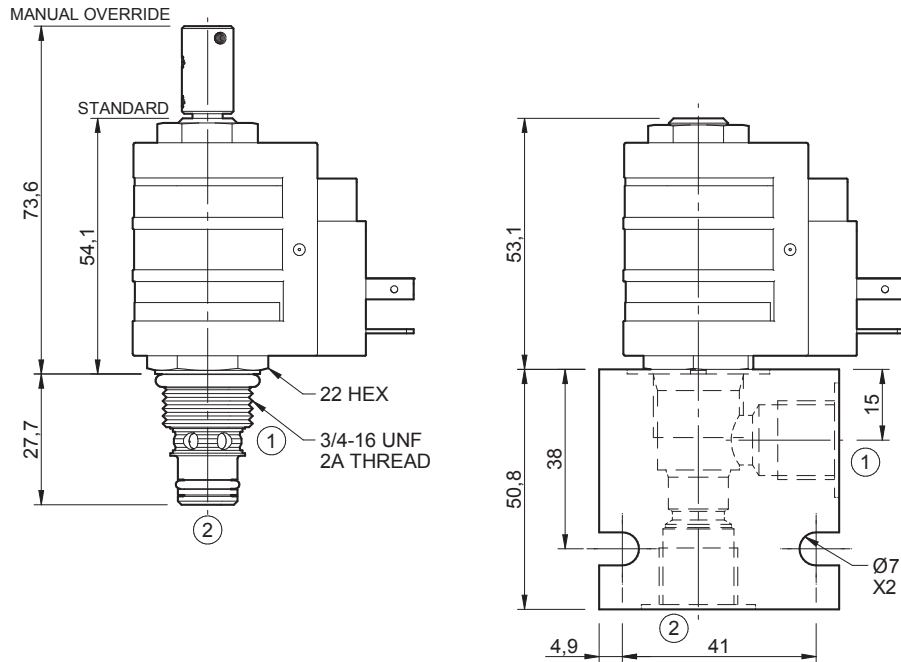
Dimensions
[mm]



To Override

Detented Version
Pull & Twist

Non-Detented Version
Pull (spring return)



Coils can be fitted in any orientation.

Refer to data sheet **Coil-P** for coil options.

Ordering Code

D-PBS2A

Options
00 - Nitrile
V0 - Viton
0M - Nitrile, o/ride., detent
VM - Viton, o/ride., detent
A0 - Nitrile, screen
W0 - Viton, screen
B1 - Nitrile, o/ride., non-detent
V1 - Viton, o/ride., non-detent
B3 - Nitrile, screen, o/ride., non-detent
V3 - Viton, screen, o/ride., non-detent
B4 - Nitrile, screen, o/ride., detent
V4 - Viton, screen, o/ride., detent

Coil termination
DL - Double lead
DS - Double spade
HC - EN 175301-803*
CL - Conduit lead
'I' coils (12 & 24 volts only) weather/immersion proof (IP69)
IA - AMP superseal
ID - Deutsch
IJ - AMP Jr. Timer
IM - Metripak
Options - See page Coil-P
Omit if coil is not required

Voltage
12 - 12 Vdc
24 - 24 Vdc
48 - 48 Vdc
25 - 24 Vac
11 - 110 Vac
23 - 250 Vac
Options - See page Coil-P

Port size (BSP)
A - 1/4"
B - 3/8"
Options - See page B-DPB

No. of ports
2 - 2 ports
Options - See page B-DPB

Body material
A - Aluminium
S - Steel
For pressures over 210 bar use steel.

*Formerly DIN 43650 Hirschmann connector.