

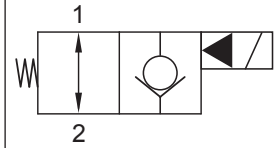
Up to 240 bar - 38 lpm


**Operation**

This is a solenoid operated 2 way normally open poppet valve. When de-energised flow is allowed in both directions between ports 1 and 2. When energised flow is blocked from 1 to 2 by a load holding poppet.

This valve is typically used as a solenoid operated dump valve but is also ideal for providing direction within a circuit.

**Manual override options available.**

**Symbol**

**Features**

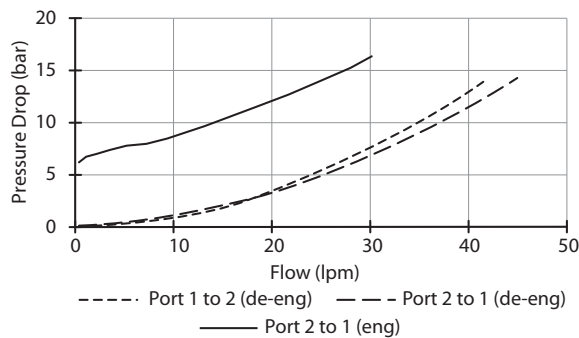
- Hardened parts for long life.
- Efficient wet-armature construction.
- Cartridges are voltage interchangeable.
- Manual override options.
- Industry common cavity.
- Unitised, molded coil design.
- Continuous duty rated solenoid.
- Optional coil voltages and terminations.
- Optional "I" Coil: Weatherproof, Thermal, Shock, Immersion Safe.



*Unshifted limit of 38 lpm from (1) to (2) energised and from (2) to (1) de-energised. For shifted flow performance consult chart.*

**Performance**

32 cSt / 38°C.


**Specifications**

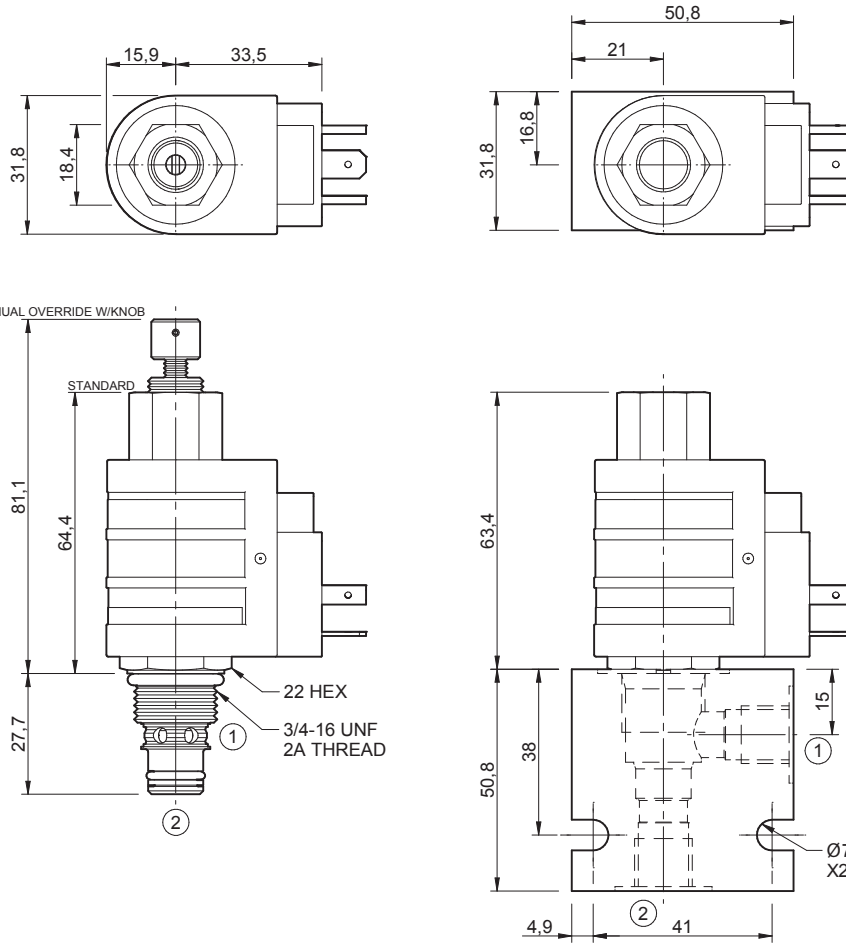
Nom. Flow (lpm)	38
Max. pressure (bar)	240
Internal Leakage (32 cSt)	0 to 0.25 cc/min at 240 bar
Hydraulic oil	General purpose hydraulic oil
Viscosity Range	3 to 640 cSt
Filtration	ISO 18/16/13
Operating temp.	-40 to 120°C
Voltage	DC / AC (see coil data page <b>Coil-P</b> )
Cartridge Torque	34 Nm
Coil Nut Torque	6 to 8 Nm (max.)
Cavity	PB08-2 (see cavity data page <b>CAV-PB08-2</b> )
Spare Seal Kit (Viton)	SK-DPBVHA
Weight - Cartridge only	0.10 kg
Weight - Cartridge + Coil	0.29 kg
Weight - Cartridge + Coil + Body	0.47 kg (alum) 0.80 kg (steel)

**Energisation Chart**

Solenoid	Flow Direction	
	1 → 2	2 → 1
De-energised	Free Flow	Free flow
Energised	Load holding	

**Dimensions**

[mm]



**To Override**

Screw to clockwise to close.

Coils can be fitted in any orientation.

Refer to data sheet Coil-P for coil options.

**Ordering Code**

**D-PBS2D**

Options	Coil termination	Voltage	Port size (BSP)	No. of ports	Body material
00 - Nitrile	DL - Double lead	12 - 12 Vdc	A - 1/4"	2 - 2 ports	A - Aluminium
V0 - Viton	DS - Double spade	24 - 24 Vdc	B - 3/8"	Options - See page B-DPB	S - Steel
OK - Nitrile, overr., knob	HC - EN 175301-803*	48 - 48 Vdc	Options - See page B-DPB		For pressures over 210 bar use steel.
VK - Viton, overr., knob	CL - Conduit lead	25 - 24 Vac			
A0 - Nitrile, screen	'I' coils (12 & 24 volts only) weather/immersion proof (IP69)	11 - 110 Vac			
W0 - Viton, screen	IA - AMP superseal	23 - 250 Vac			
B5 - Nitrile, screen, overr., knob	ID - Deutsch	Options - See page Coil-P			
V5 - Viton, screen, overr., knob	IJ - AMP Jr. Timer				
	IM - Metripak				
	Options - See page Coil-P				
	Omit if coil is not required				

\*Formerly DIN 43650 Hirschmann connector.