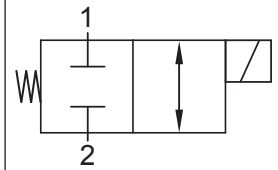




Up to 210 bar - 30 lpm

Symbol



Operation

This is a solenoid operated 2 way 2 position normally closed spool valve. In the de-energised position the valve is closed at 1 and 2. When energised 1 and 2 are connected together. The valve can be used as a simple directional valve.

Manual override options available.

Features

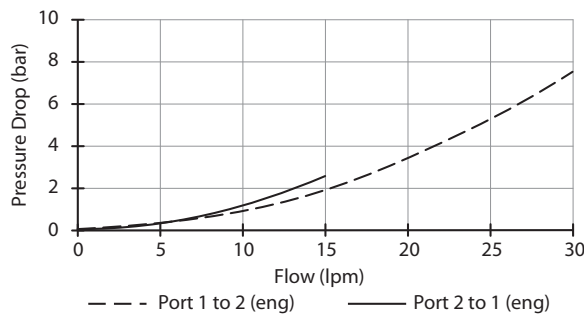
- Hardened parts for long life.
- Efficient wet-armature construction.
- Cartridges are voltage interchangeable.
- Industry common cavity.
- Unitised, molded coil design.
- Continuous duty rated solenoid.
- Optional coil voltages and terminations.
- Optional "I" Coil: Weatherproof, Thermal, Shock, Immersion Safe.



For higher flows consult factory.

Performance

32 cSt / 38°C.

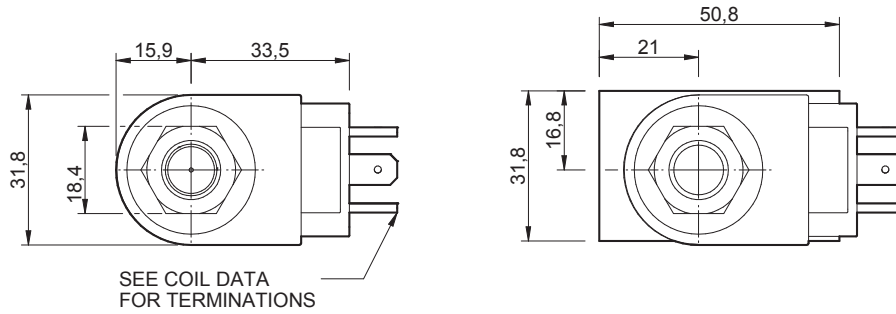


Specifications

Max. Flow (lpm)	30 (1 to 2) 15 (2 to 1)
Max. pressure (bar)	210
Internal Leakage (32 cSt)	82 cc/min at 210 bar
Hydraulic oil	General purpose hydraulic oil
Viscosity Range	3 to 640 cSt
Filtration	ISO 18/16/13
Operating temp.	-40 to 120°C
Voltage	DC / AC (see coil data page Coil-P)
Cartridge Torque	34 Nm
Coil Nut Torque	6 to 8 Nm (max.)
Cavity	PB08-2 (see cavity data page CAV-PB08-2)
Spare Seal Kit (Viton)	SK-DPBVHD
Weight - Cartridge only	0.09 kg
Weight - Cartridge + Coil	0.28kg
Weight - Cartridge + Coil + Body	0.46 kg (alum) 0.79 kg (steel)

Dimensions

[mm]



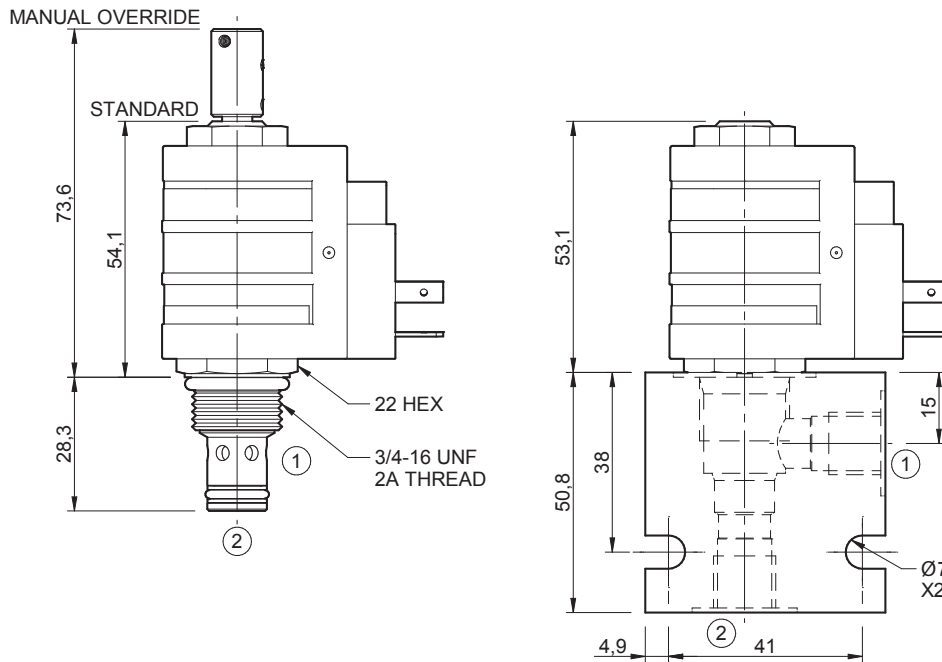
To Override

Detented Version
Pull & Twist

Non-Detented Version
Pull (spring return)

Coils can be fitted in any orientation.

Refer to data sheet **Coil-P** for coil options.



Ordering Code

D-PBS2G

Options	Coil termination	Voltage	Port size (BSP)	No. of ports	Body material
00 - Nitrile	DL - Double lead	12 - 12 Vdc	A - 1/4"	2 - 2 ports	A - Aluminium
V0 - Viton	DS - Double spade	24 - 24 Vdc	B - 3/8"	Options - See page B-DPB	S - Steel
OK - Nitrile, overr., knob	HC - EN 175301-803*	48 - 48 Vdc	Options - See page B-DPB		For pressures over 210 bar use steel.
VK - Viton, overr., knob	CL - Conduit lead	25 - 24 Vac			
A0 - Nitrile, screen	'I' coils (12 & 24 volts only) weather/immersion proof (IP69)	11 - 110 Vac			
W0 - Viton, screen	IA - AMP superseal	23 - 250 Vac			
B5 - Nitrile, screen, overr., knob	ID - Deutsch	Options - See page Coil-P			
V5 - Viton, screen, overr., knob	IJ - AMP Jr. Timer				
	IM - Metripak				
	Options - See page Coil-P				
	Omit if coil is not required				

*Formerly DIN 43650 Hirschmann connector.