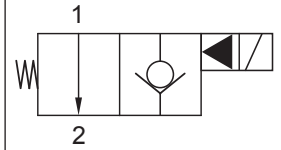




Up to 138 bar - 30 lpm

Symbol



Operation

This is a solenoid operated 2 way normally open soft seat poppet valve. When de-energised flow goes from 1 to 2; energised, flow is blocked by a load holding poppet.

This valve is typically used as a solenoid operated dump valve.

The provision of a soft seated poppet gives an almost zero leakage when closed.

Manual override options available.

Features

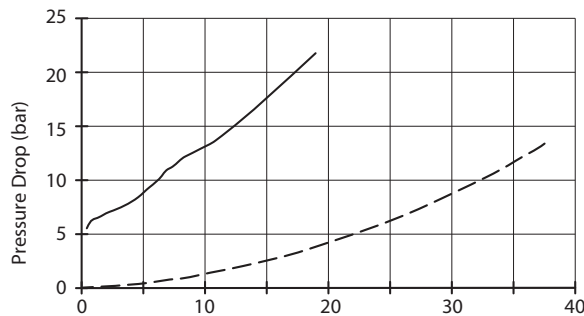
- Soft seat for ultra low leakage.
- Efficient wet-armature construction.
- Cartridges are voltage interchangeable.
- Manual override options.
- Industry common cavity.
- Unitised, molded coil design.
- Continuous duty rated solenoid.
- Optional coil voltages and terminations.
- Optional "I" Coil: Weatherproof, Thermal, Shock, Immersion Safe.



Unshifted limit 23 lpm from (1) to (2) energised. For shifted flow performance consult chart.

Performance

32 cSt / 38°C.

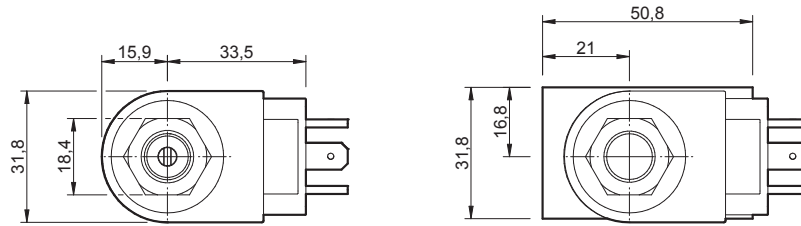


Specifications

Nom. Flow (lpm)	30
Max. pressure (bar)	138
Internal Leakage (32 cSt)	Negligible
Hydraulic oil	General purpose hydraulic oil
Viscosity Range	3 to 640 cSt
Filtration	ISO 18/16/13
Operating temp.	-40 to 120°C
Voltage	DC / AC (see coil data page Coil-P)
Cartridge Torque	34 Nm
Coil Nut Torque	6 to 8 Nm (max.)
Cavity	PB08-2 (see cavity data page CAV-PB08-2)
Spare Seal Kit (Viton)	SK-DPBVHA
Weight - Cartridge only	0.10 kg
Weight - Cartridge + Coil	0.29 kg
Weight - Cartridge + Coil + Body	0.47 kg (alum) 0.80 kg (steel)

Dimensions

[mm]

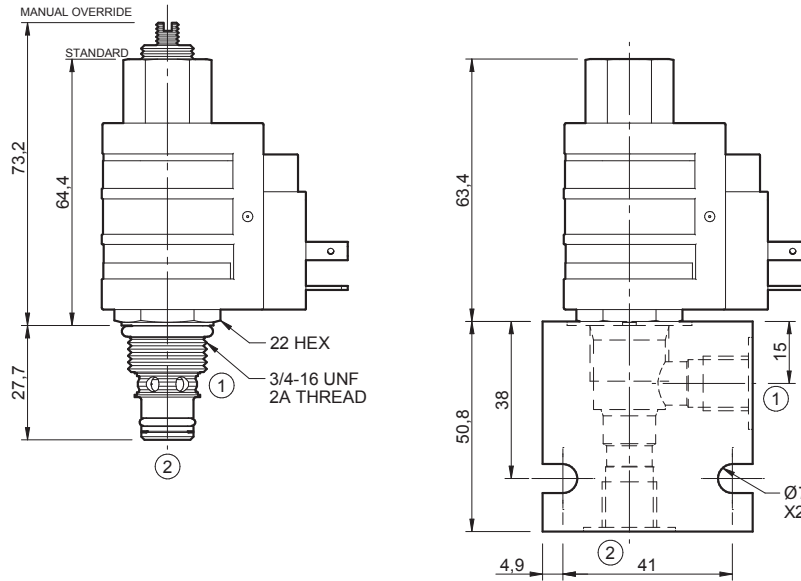


To Override

Screwdriver adjust.
Screw to clockwise to close.

Coils can be fitted in **any orientation.**

Refer to data sheet
Coil-P for coil options.



Ordering Code

D-PBS2J

Options	Coil termination	Voltage	Port size (BSP)	No. of ports	Body material
00 - Nitrile	DL - Double lead	06 - 6 Vdc	A - 1/4"	2 - 2 ports	A - Aluminium
V0 - Viton	DT - Deutsch on Leads DT04-2P	12 - 12 Vdc	B - 3/8"	Options - See page B-DPB	S - Steel
0M - Nitrile, override	ML - Metric-Pack on Leads	24 - 24 Vdc	Options - See page B-DPB		
VM - Viton, override	PL - Packard on Leads	36 - 36 Vdc			
B2 - Nitrile, screen, overr.	WL - Weatherpack on Leads	48 - 48 Vdc			
V2 - Viton, screen, overr.	SS - Single Spade	25 - 24 Vac			
A0 - Nitrile, screen	DS - Double spade	11 - 120 Vac			
W0 - Viton & screen	HC - EN 175301-803*	22 - 220 Vac			
	CL - Conduit lead	44 - 440 Vac			
	DI - Deutsch - Integral	Options - See page Coil-P			
	'I' coils (12 & 24 volts only) weather/immersion proof (IP69)				
	IA - AMP superseal				
	ID - Deutsch				
	IJ - AMP Jr. Timer				
	IM - Metripak				
	Options - See page Coil-P				
	Omit if coil is not required				

*Formerly DIN 43650 Hirschmann connector.