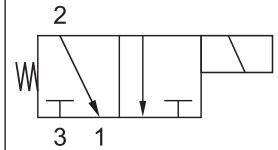




Up to 210 bar - 11 lpm

Symbol

Operation

This is a solenoid operated 3 way 2 position directional spool valve which can be used in low flow circuits or used to pilot large logic or directional valves.

Manual override options available.

Features

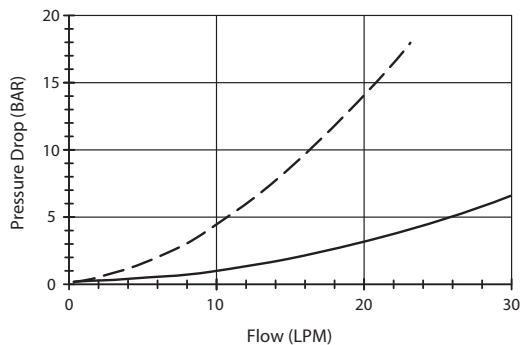
- Hardened parts for long life.
- Efficient wet-armature construction.
- Cartridges are voltage interchangeable.
- Manual override options.
- Industry common cavity.
- Unitised, molded coil design.
- Continuous duty rated solenoid.
- Optional coil voltages and terminations.
- Optional "I" Coil: Weatherproof, Thermal, Shock, Immersion Safe.



Operational shift limit 11 lpm from (2) or (3). Consult factory for flow in (1) that exceed 11 lpm. For shifted flow performance consult chart.

Performance

32 cSt / 38°C.



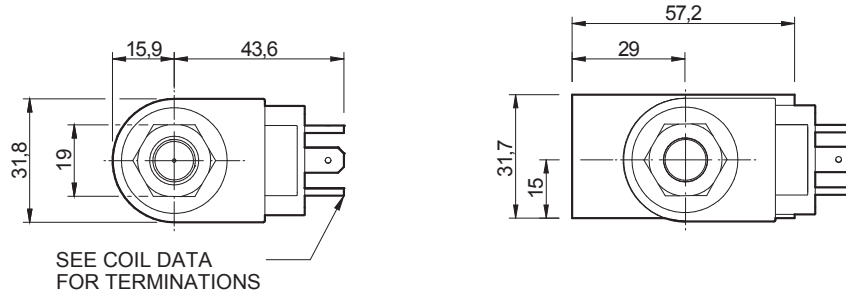
--- Port 2 to 1 (de-eng) — Port 2 to 3 (eng)

Specifications

Nom. Flow (lpm)	11 lpm
Max. pressure (bar)	210
Internal Leakage (32 cSt)	82 cc/min at 210 bar
Hydraulic oil	General purpose hydraulic fluid
Viscosity Range	3 to 640 cSt
Filtration	ISO 18/16/13
Operating temp.	-40 to 120°C
Voltage	DC / AC (see coil data page Coil-P)
Cartridge Torque	34 Nm
Coil Nut Torque	5 to 8 Nm
Cavity	PP08-3 (see cavity data page CAV-PB08-3)
Spare Seal Kit (Viton)	SK-DPPVHDD
Weight - Cartridge only	0.10 kg
Weight - Cartridge + Coil	0.29 kg
Weight - Cartridge + Coil + Body	0.55 kg (alum) 1.04 kg (steel)

Dimensions

[mm]



SEE COIL DATA FOR TERMINATIONS

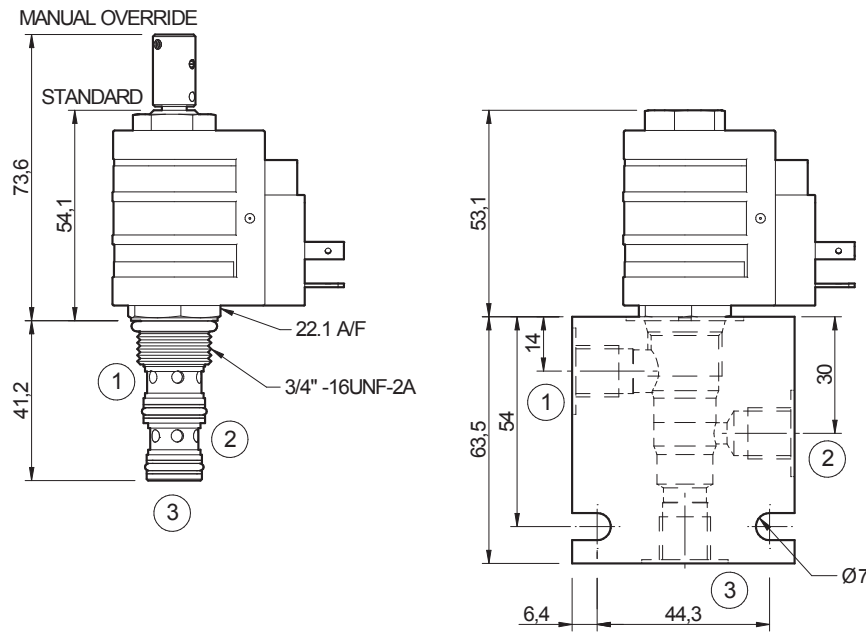
To Override

Detented Version
Pull & Twist

Non-Detented Version
Pull (spring return)

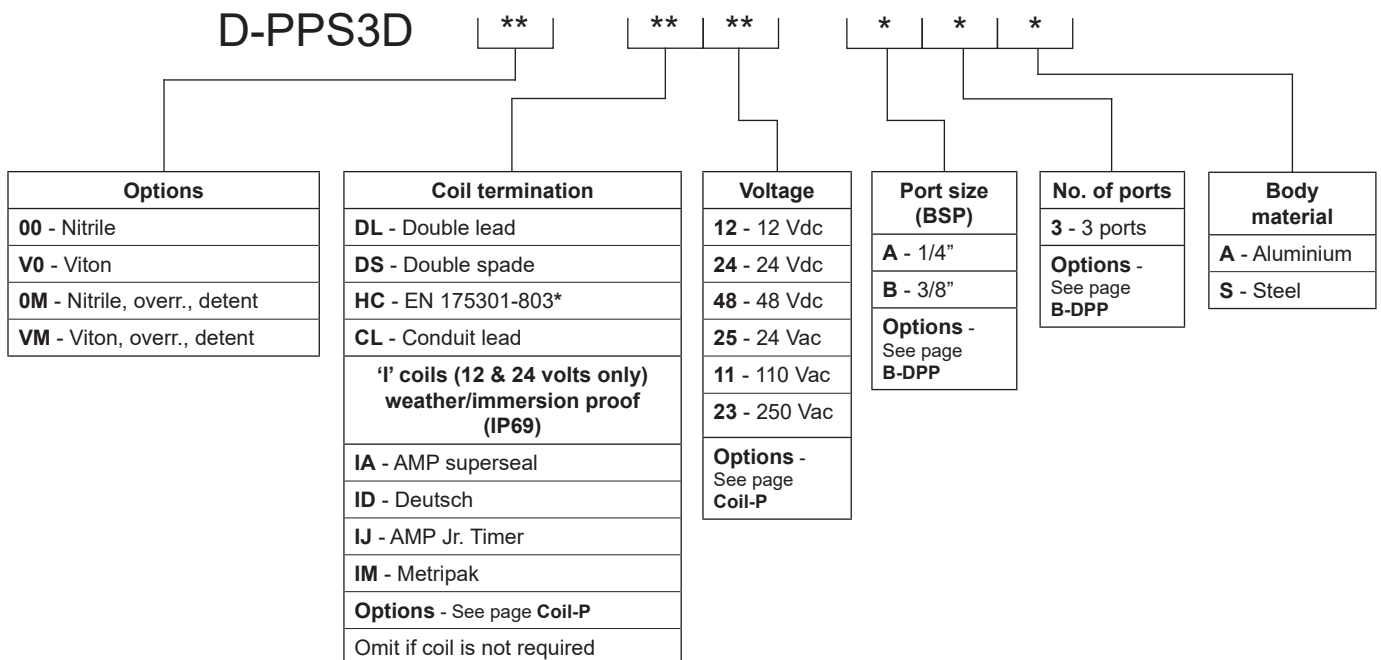
Coils can be fitted in **any** orientation.

Refer to data sheet Coil-P for coil options.



Ordering Code

D-PPS3D



*Formerly DIN 43650 Hirschmann connector.