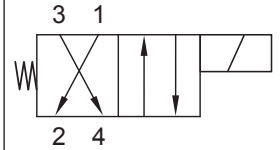


Up to 210 bar - 9 lpm

**Symbol**



**Operation**

This is a solenoid operated 4 way 2 position bottom flow directional spool valve.

It is typically used for controlling a single acting cylinder or hydraulic motor.

**Manual override options available.**

**Features**

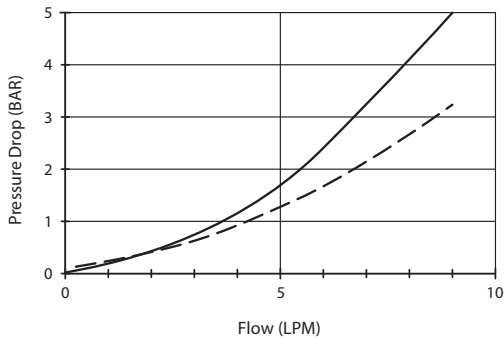
- Hardened parts for long life.
- Efficient wet-armature construction.
- Cartridges are voltage interchangeable.
- Industry common cavity.
- Unitised, molded coil design.
- Continuous duty rated solenoid.
- Optional coil voltages and terminations.
- Optional "I" Coil: Weatherproof, Thermal, Shock, Immersion Safe.



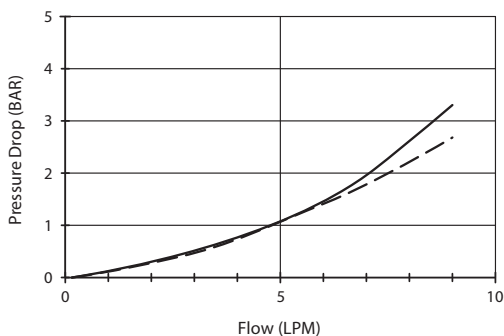
*For higher flows consult factory.*

**Performance**

32 cSt / 38°C.



--- Port 3 to 2 (de-eng)      — Port 4 to 1 (de-eng)

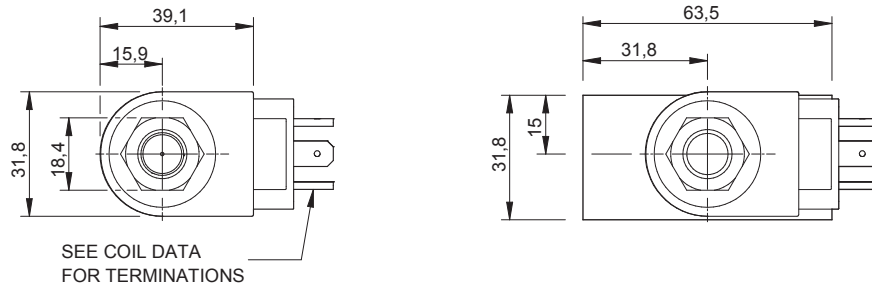


--- Port 1 to 2 (eng)      — Port 4 to 3 (eng)

**Specifications**

Max. Flow (lpm)	9
Max. pressure (bar)	210
Internal Leakage (32 cST)	82 cc/min per path
Hydraulic oil	General purpose hydraulic fluid
Viscosity Range	3 to 640 cSt
Filtration	ISO 18/16/13
Operating temp.	-40 to 120°C
Voltage	DC / AC (see coil data page <b>Coil-P</b> )
Cartridge Torque	34 Nm
Coil Nut Torque	5 to 8 Nm
Cavity	PQ08-4 (see cavity data page <b>CAV-PQ08-4</b> )
Spare Seal Kit	SK-DPQVHDDD
Weight - Cartridge only	0.11 kg
Weight - Cartridge + Coil	0.30 kg
Weight - Cartridge + Coil + Body	0.67 kg (alum) 1.36 kg (steel)

**Dimensions**  
[mm]



SEE COIL DATA FOR TERMINATIONS

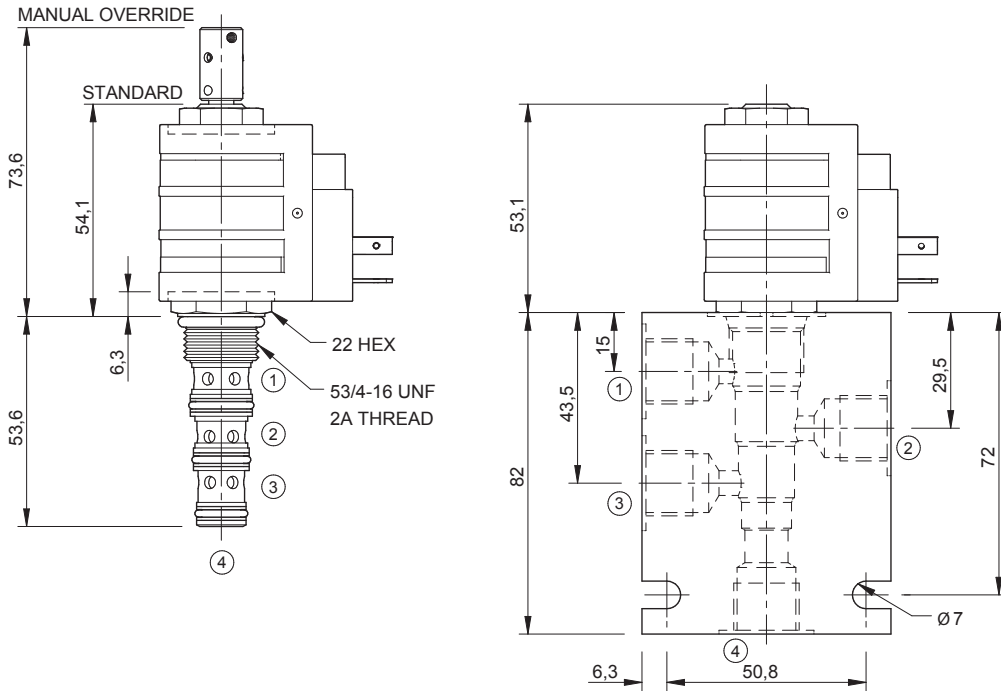
**To Override**

**Detented Version**  
Pull & Twist

**Non-Detented Version**  
Pull (spring return)

Coils can be fitted in any orientation.

Refer to data sheet **Coil-P** for coil options.



**Ordering Code**

**D-PQS4C** - **\*\*** - **\*\*** **\*\*** - **\*** **\*** **\***

Options	Coil termination	Voltage	Port size (BSP)	No. of ports	Body material
00 - Nitrile	DL - Double lead	12 - 12 Vdc	A - 1/4"	4 - 4 ports	A - Aluminium
V0 - Viton	DS - Double spade	24 - 24 Vdc	B - 3/8"	Options - See page B-DPQ	S - Steel
0M - Nitrile, overr., detent	HC - EN 175301-803*	48 - 48 Vdc	Options - See page B-DPQ		
VM - Viton, overr., detent	CL - Conduit lead	25 - 24 Vac			
B1 - Nitrile, overr., non-detent	Options - See page Coil-P	11 - 110 Vac			
V1 - Viton, overr., non-detent	Omit if coil is not required	23 - 240 Vac			
		Options - See page Coil-P			

\*Formerly DIN 43650 Hirschmann connector.