

Up to 210 bar - 150 lpm


Operation

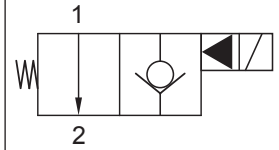
This is a solenoid operated 2 way normally open poppet valve.

When de-energised flow goes from 1 to 2; energised, flow is blocked by a load holding poppet.

This valve is typically used as a solenoid operated dump valve.

If flow is required in both directions in the de-energised position, valve S2D can be used.

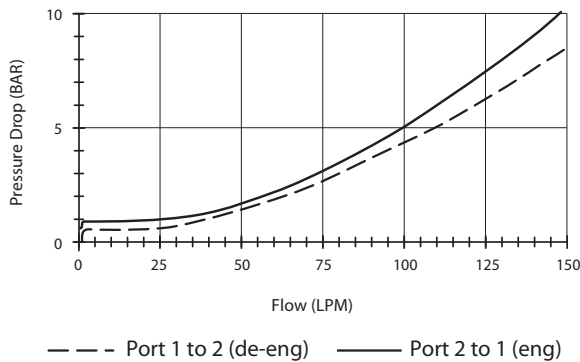
Manual override options available.

Symbol

Features

- Hardened parts for long life.
- Efficient wet-armature construction.
- Cartridges are voltage interchangeable.
- Manual override options.
- Industry common cavity.
- Unitised, molded coil design.
- Continuous duty rated solenoid.
- Optional coil voltages and terminations.
- Optional "I" Coil: Weatherproof, Thermal, Shock, Immersion Safe.

Performance

32 cSt / 38°C.

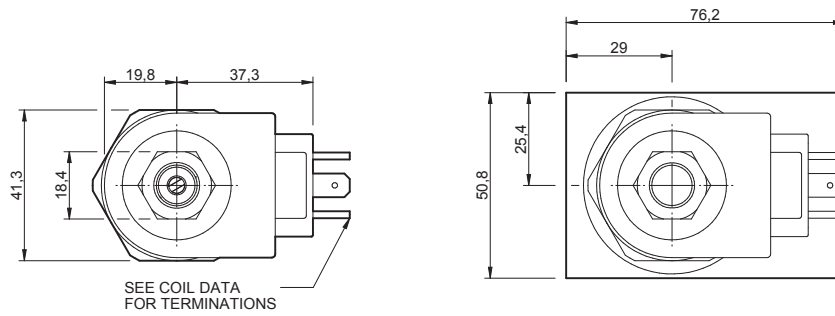

Specifications

Nom. Flow (lpm)	150
Max. pressure (bar)	210
Internal Leakage (32 cSt)	0 to 0.50 cc/min at 240 bar
Hydraulic oil	General purpose hydraulic fluid
Viscosity Range	3 to 640 cSt
Filtration	ISO 18/16/13
Operating temp.	-40 to 120°C
Voltage	DC / AC (see coil data page Coil-D)
Cartridge Torque	122 Nm
Coil Nut Torque	5 to 8 Nm
Cavity	SJ16-2 (see cavity data page CAV-SJ16-2)
Spare Seal Kit (Viton)	SK-DSJVHA
Weight - Cartridge only	0.33 kg
Weight - Cartridge + Coil	0.66 kg
Weight - Cartridge + Coil + Body	1.12 kg (alum) 2.29 kg (steel)

Energisation Chart

Solenoid	Flow Direction	
	1 → 2	2 → 1
De-energised	Free flow	Restricted flow
Energised	Load holding	Free flow

Dimensions
[mm]

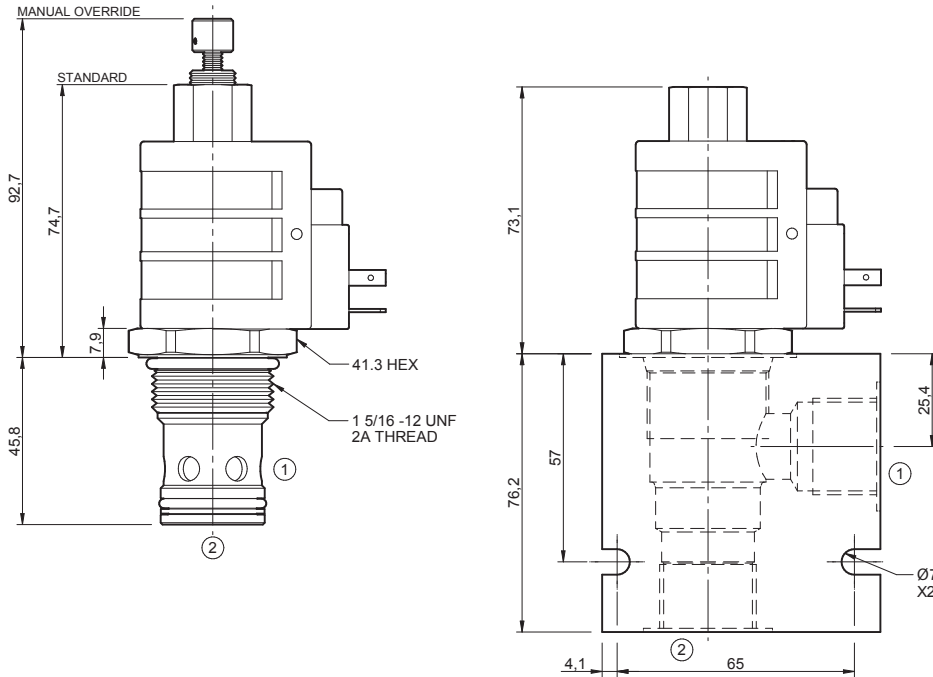


To Override

Screw clockwise to close.

Coils can be fitted in any orientation.

Refer to data sheet Coil-D for coil options.



Ordering Code

D-SJS2C

Options	Coil termination	Voltage	Port size (BSP)	No. of ports	Body material
00 - Nitrile	DL - Double lead	12 - 12 Vdc	D - 3/4"	2 - 2 ports	A - Aluminium
V0 - Viton	DS - Double spade	24 - 24 Vdc	E - 1"	Options - See page D-DSJ	S - Steel
OK - Nitrile, overr., knob	HC - EN 175301-803*	48 - 48 Vdc	Options - See page D-DSJ		For pressures over 210 bar use steel.
VK - Viton, overr., knob	CL - Conduit lead	25 - 24 Vac			
A0 - Nitrile, screen	'I' coils (12 & 24 volts only) weather/immersion proof (IP69)	11 - 110 Vac			
W0 - Viton, screen	IA - AMP superseal	23 - 250 Vac			
B5 - Nitrile, screen, overr., knob	ID - Deutsch	Options - See page Coil-D			
V5 - Viton, screen, overr., knob	IJ - AMP Jr. Timer				
	IM - Metripak				
	Options - See page Coil-D				
	Omit if coil is not required				

*Formerly DIN 43650 Hirschmann connector.