



Up to 240 bar - 75 lpm

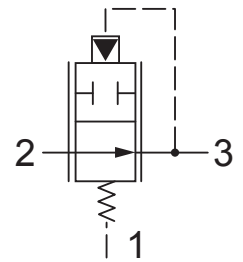
**Operation**

The D-TRPCC with an external orifice beyond port (3) and sensed by port (1) maintains a constant flow rate from (3) regardless of load pressure changes in the system downstream of (3), or in the inlet at (2) as long as pressure at (3) is greater than (1) by more than spring setting chosen and pump supply is in excess of demand.

The valve's spool maintains a constant differential pressure across an external orifice, thereby regulating the hydraulic flow rate across this external orifice (see table for pressure ranges).

When used with an orifice as described above, it functions as a restrictive type regulator, delivering pump flow through the external orifice. All ports may be fully pressurised.

**Symbol**



**Features**

- Hardened parts for long life.
- Industry common cavity.

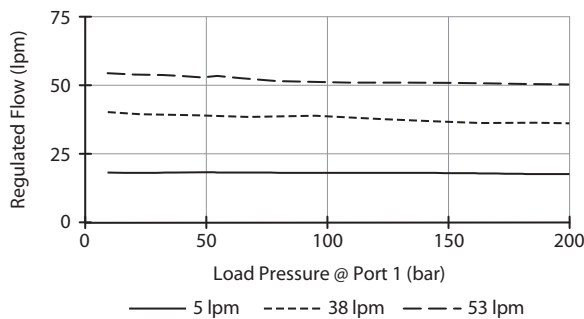


*Can be used as a logic element.*

*Fixed setting pressure reducing valve. For adjustable setting see D-TRPCD.*

**Performance**

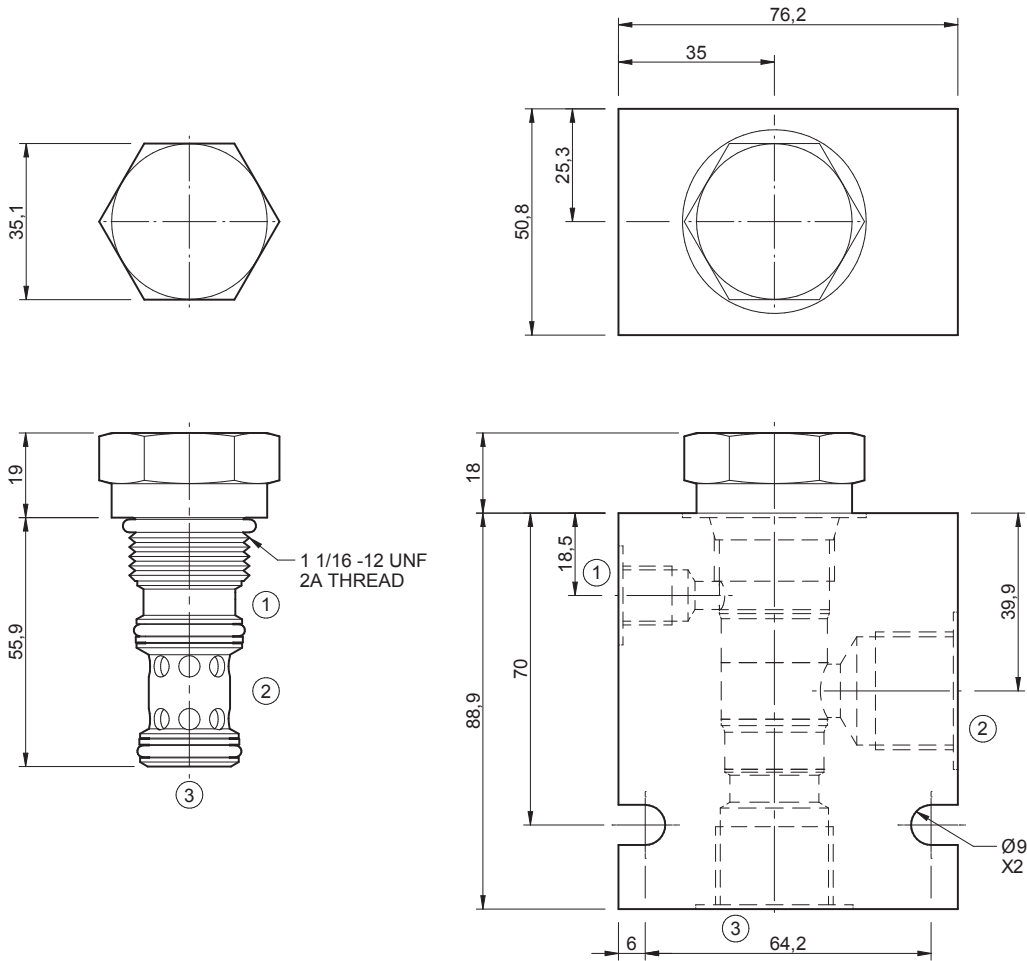
32 cSc / 38°C.



**Specifications**

Nom. Flow (lpm)	75
Max. Pressure (bar)	240
Hydraulic Oil	General purpose hydraulic fluid
Viscosity Range	3 to 640 cSt
Filtration	ISO 18/16/13
Operating Temp.	-40 to 120°C
Cartridge Torque	95 Nm
Cavity	TR12-3S (see cavity data page <b>CAV-TR12-3S</b> )
Spare Seal Kit (Viton)	SK-DTRVHAA
Weight - Valve only	0.24 kg
Weight - Valve + Body	1.02 kg (alum) 2.43 kg (steel)

**Dimensions**  
[mm]



**Ordering Code**

