

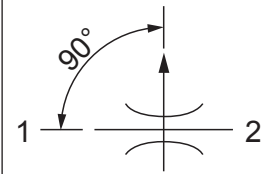


Up to 210 bar - 150 lpm

Operation

The R-SJMRA regulates flow from (1) to (2) or (2) to (1). Counter-clockwise rotation of 90° adjusts valve from fully open to fully closed.

Symbol

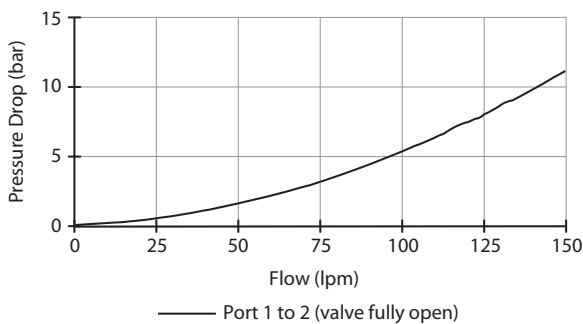


Features

- Hardened parts for long life.
- Industry common cavity.

Performance

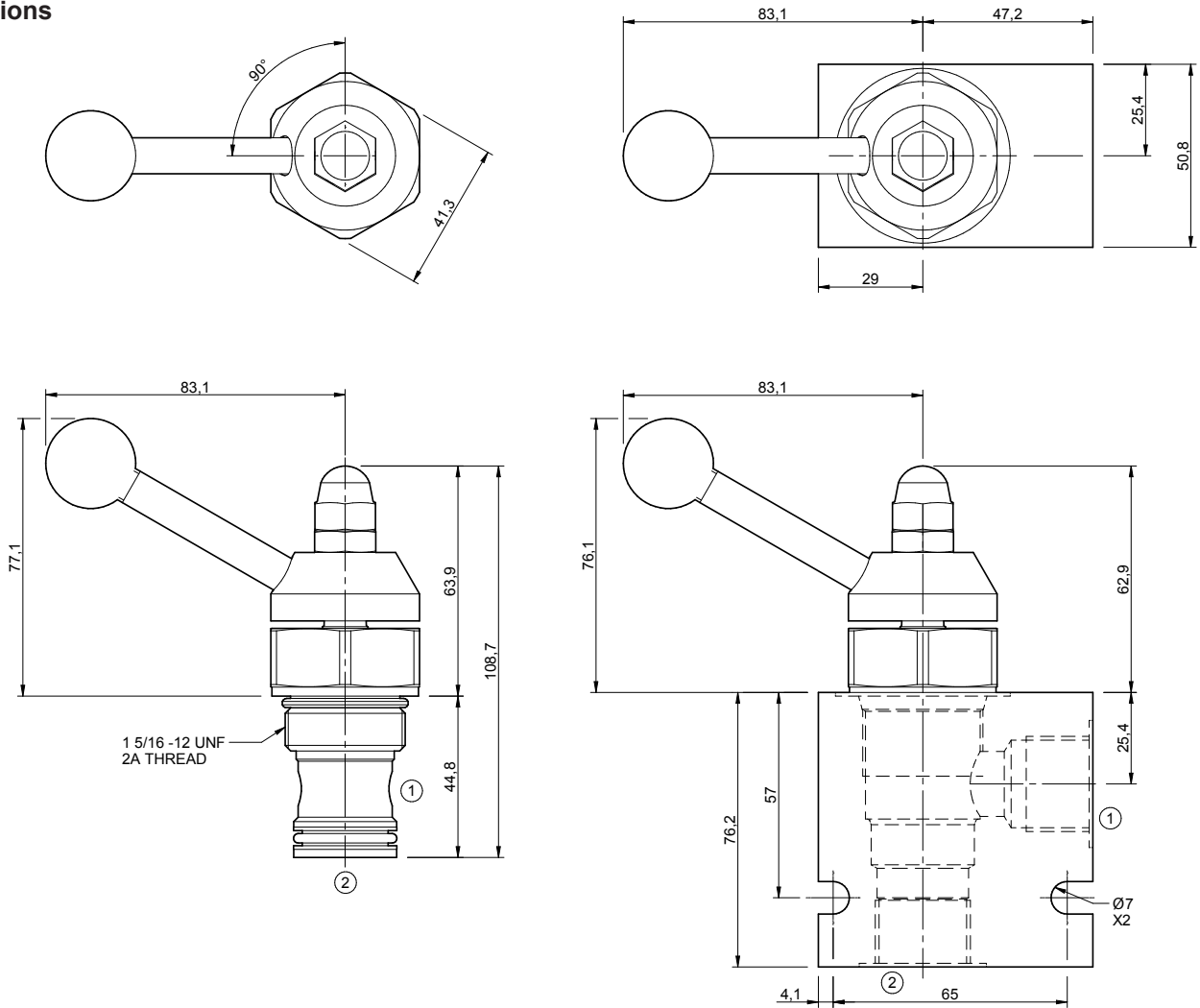
32 cSc / 38°C.



Specifications

Nom. Flow (lpm)	150
Max. Pressure (bar)	210
Internal Leakage (32 cSt)	246 cc/min
Hydraulic Oil	General purpose hydraulic fluid
Viscosity Range	3 to 640 cSt
Filtration	ISO 18/16/13
Operating Temp.	-40 to 120°C
Cartridge Torque	40 Nm
Cavity	SJ16-2 (see cavity data page CAV-SJ16-2)
Spare Seal Kit (Viton)	SK-DSJVHD
Weight - Valve only	0.51 kg
Weight - Valve + Body	0.88 kg (alum) 2.14 kg (steel)

Dimensions
[mm]



Ordering Code

R-SJMRA

