



Up to 240 bar - Up to 30 lpm

**Operation**

The D-PBMCL blocks flow from (1) to (2) until an operator pulls the handle upward. The bias spring (see options for pressure) allows for back-pressure at (2) before the valve will open.

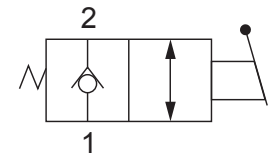
Note: Pressure at port (2) will directly act on the spool and spring. Port (2) is intended to be a tank port only.

**Note:**

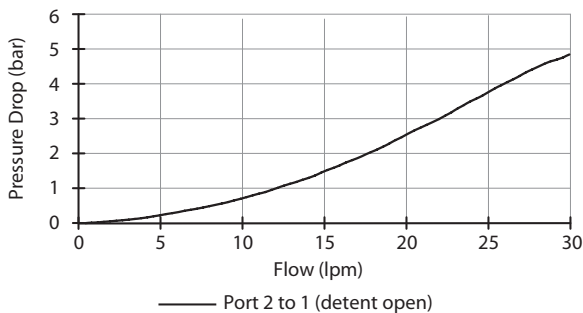
Pressure above SPRING BIAS PRESSURE at port (2) may cause valve to self open.

**Features**

- Hardened parts for long life.
- Industry common cavity

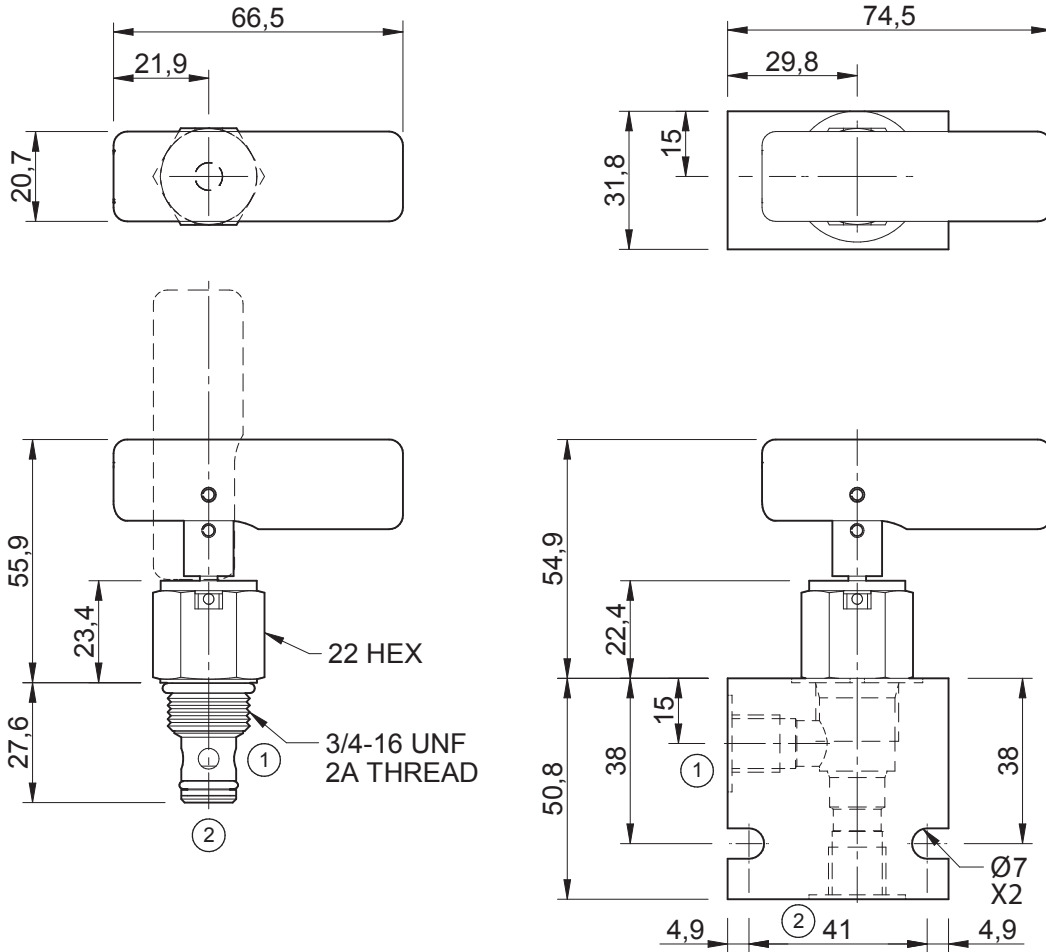
**Symbol**

**Performance**

32 cSc / 38°C.


**Specifications**

Nom. Flow (lpm)	30
Max. Pressure (bar)	240
Internal Leakage (32 cSt)	0 to 0.25 cc/min
Hydraulic Oil	General purpose hydraulic fluid
Viscosity Range	3 to 640 cSt
Filtration	ISO 18/16/13
Operating Temp.	-40 to 120°C
Cartridge Torque	34 Nm
Cavity	PB08-2 (see cavity data page <b>CAV-PB08-2</b> )
Spare Seal Kit (Viton)	SK-DPBVHA
Weight - Valve only	0.15 kg
Weight - Valve + Body	0.33 kg (alum) 0.66 kg (steel)

**Dimensions**  
[mm]



**To Override**

Pull up lever.

**Ordering Code**

