



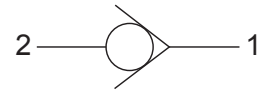
Up to 345 bar - 132 lpm

Operation

The D-HTCVR allows free flow from (1) to (2) and blocks flow from (2) to (1).

The cartridge has a fully guided poppet, which is spring biased closed, until sufficient pressure is applied at (1) to open to (2).

Symbol

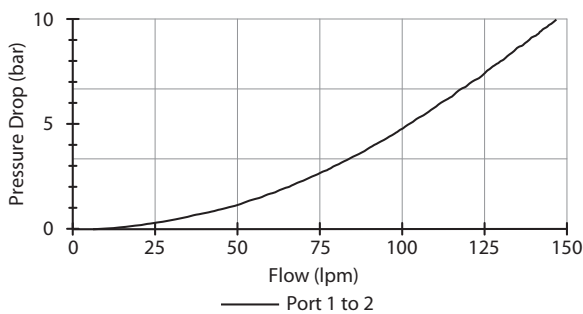


Features

- Hardened parts for long life and low leakage.
- Industry common cavity.
- Optional bias springs for backpressure application flexibility.

Performance

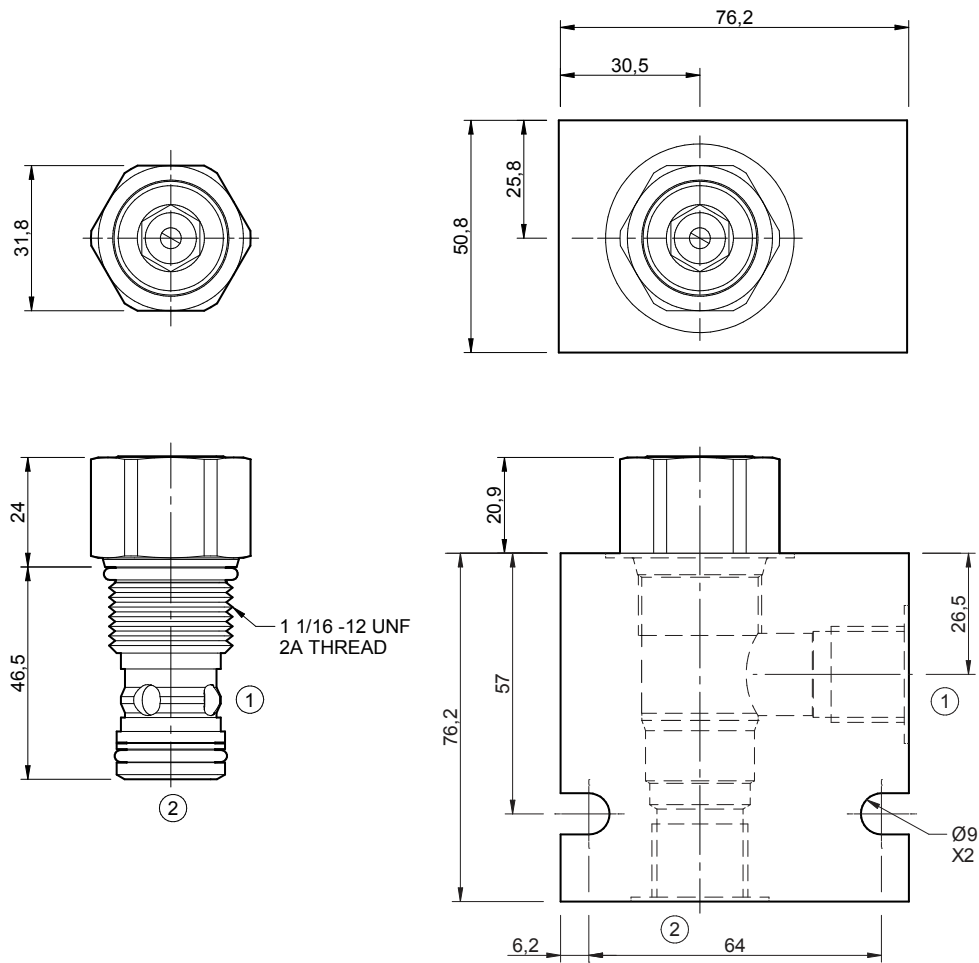
32 cSc / 38°C.



Specifications

Nom. Flow (lpm)	132
Max. Pressure (bar)	345
Internal Leakage (32 cSt)	0 to 0.40 cc/min
Hydraulic Oil	General purpose hydraulic fluid
Viscosity Range	3 to 640 cSt
Filtration	ISO 18/16/13
Operating Temp.	-40 to 120°C
Cartridge Torque	95 Nm
Cavity	TT12-2 (see cavity data page CAV-TT12-2)
Spare Seal Kit (Viton)	SK-DTTVHA
Weight - Valve only	0.25 kg
Weight - Valve + Body	0.83 kg (alum) 1.91 kg (steel)

Dimensions
[mm]



Ordering Code

