



Up to 345 bar - 133 lpm


Symbol

Operation

The D-HTNVA adjusts from fully open to fully closed by turning adjusting screw clockwise. When adjusted open the valve allows flow (1) to (2) and (2) to (1). When fully closed the valve blocks flow from (1) to (2) and (2) to (1).

This valve can be used to vary flow and also as a shut-off valve.

Adjustment

Turn  to decrease flow and shut off.

Features

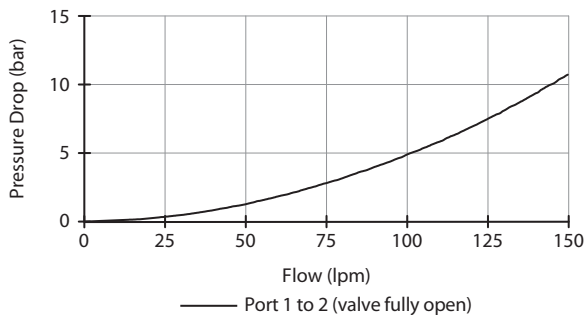
- Hardened cage and spool for long life.
- Industry common cavity.



Valves with the knob option are **not** to be adjusted under pressure.

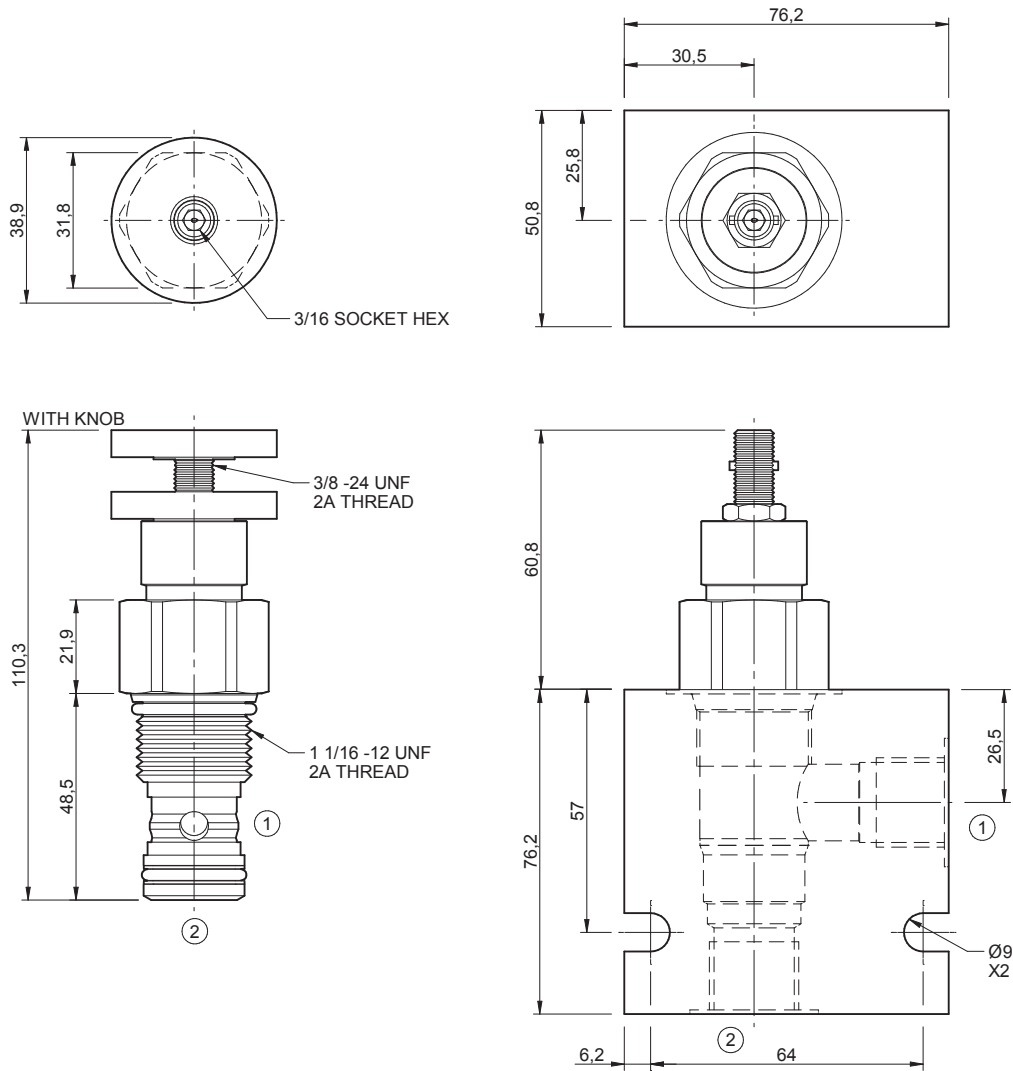
Performance

32 cSc / 38°C.


Specifications

Nom. Flow (lpm)	133
Max. Pressure (bar)	345
Hydraulic Oil	General purpose hydraulic fluid
Viscosity Range	3 to 640 cSt
Filtration	ISO 18/16/13
Operating Temp.	-40 to 120°C
Cartridge Torque	95 Nm
Cavity	TT12-2 (see cavity data page CAV-TT12-2)
Spare Seal Kit (Viton)	SK-DHTVHD
Weight - Valve only	0.32 kg
Weight - Valve + Body	0.90 kg (alum) 1.98 kg (steel)

Dimensions
[mm]



Ordering Code

D-HTNVA

				**					
				*	*	*			
Options				Port size (BSP)		No. of ports		Body material	
00 - Nitrile				C - 1/2"		2 - 2 ports		A - Aluminium	
V0 - Viton				D - 3/4"		Options - See page B-DTT		S - Steel	
0K - Nitrile, Knob				Options - See page B-DTT				For pressures over 210 bar use steel.	
VK - Viton, Knob									
A0 - Nitrile, Screen									
W0 - Viton, Screen									
AK - Nitrile, Screen, Knob									
WK - Viton, Screen, Knob									
NOTE: Use screen only if flow direction is from 1 to 2									
Knob Part No.									
PT-KN22020049									