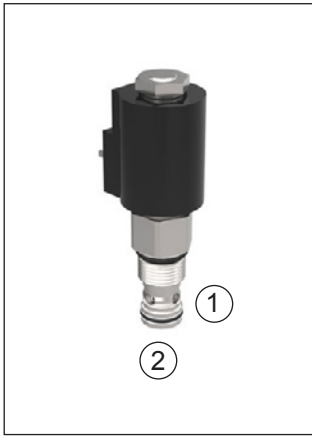
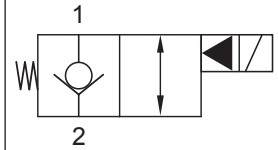


Up to 345 bar - 130 lpm


Operation

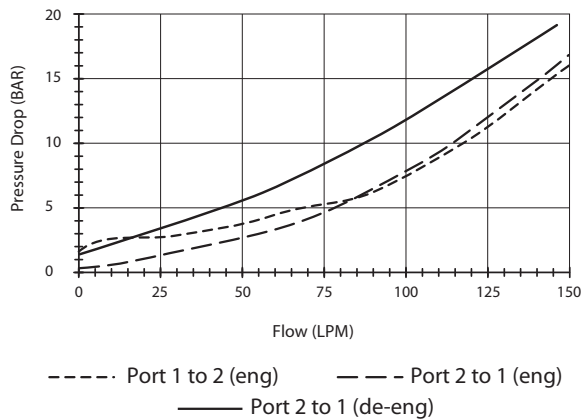
This is a solenoid operated 2 way normally closed poppet valve which is typically used to lock a load in position. When energised the poppet opens and releases the load and allows flow to pass freely in both directions between 1 and 2. De-energised the valve allows free flow from 2 to 1. A typical application for this valve is where a cylinder is required to float in the energised position and be locked in the de-energised position. The valve can also be used as a directional control.

Symbol

Features

- Hardened parts for long life.
- Efficient wet-armature construction.
- Cartridges are voltage interchangeable.
- Manual override options.
- Industry common cavity.
- Unitised, molded coil design.
- Continuous duty rated solenoid.
- Optional coil voltages and terminations.

Performance

32 cSt / 38°C.

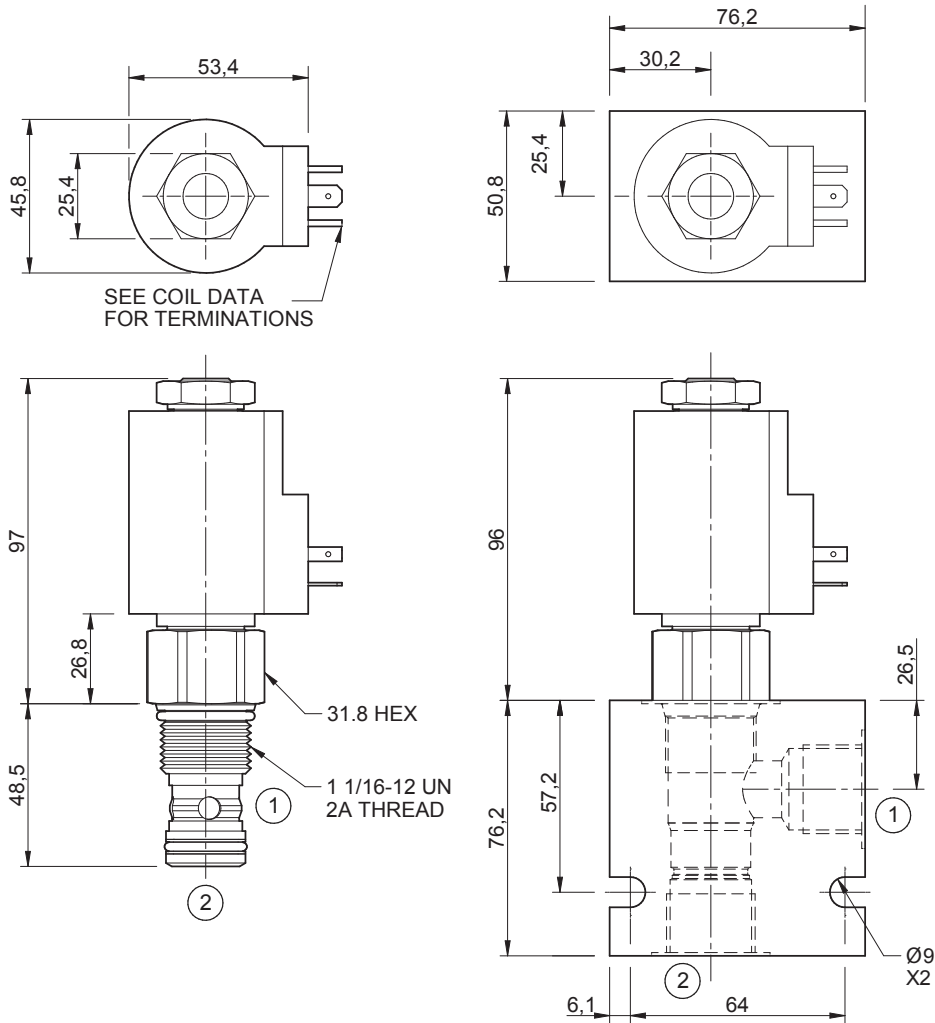

Specifications

Nom. Flow (lpm)	130
Max. pressure (bar)	345
Internal Leakage (32 cSt)	0 to 0.40 cc/min at 345 bar
Hydraulic oil	General purpose hydraulic fluid
Viscosity Range	3 to 640 cSt
Filtration	ISO 18/16/13
Operating temp.	-40 to +120°C
Voltage	DC / AC (see coil data page Coil-T)
Cartridge Torque	95 Nm
Coil Nut Torque	5 to 8 Nm
Cavity	TT12-2 (see cavity data page CAV-TT12-2)
Seal Kit	SK-DTTVHA
Weight - Cartridge only	0.43 kg
Weight - Cartridge + Coil	0.84 kg
Weight - Cartridge + Coil + Body	1.42 kg (alum) 2.50 kg (steel)

Energisation Chart

Solenoid	Flow Direction	
	1 → 2	2 → 1
De-energised	Load holding	Free flow
Energised	Free flow	Free flow

Dimensions
[mm]



Coils can be fitted in any orientation.
Refer to data sheet Coil-T for coil options.

Ordering Code

HT-S2B - ** - ** ** - * * *

Options	Coil termination	Voltage	Port size (BSP)	No. of ports	Body material
00 - Nitrile	DL - Double lead	12 - 12 Vdc	C - 1/2"	2 - 2 ports	A - Aluminium
V0 - Viton	DS - Double spade	24 - 24 Vdc	D - 3/4"	Options - See page B-DHT	S - Steel
	HC - EN 175301-803*	25 - 24 Vac	Options - See page B-DHT		For pressures over 210 bar use steel.
	Options - See page Coil-T	11 - 110 Vac			
	Omit if coil is not required	22 - 220 Vac			
		Options - See page Coil-T			

*Formerly DIN 43650 Hirschmann connector.