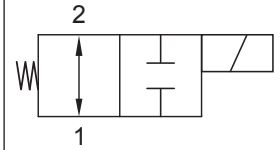




Up to 210 bar - 30 lpm

Symbol

Operation

This is a solenoid operated 2 way normally open spool valve. In the de-energised position, 1 and 2 are connected. When energised 1 and 2 are closed.

The valve is typically used in hydraulic pump unloading applications or can be used as a simple directional control.

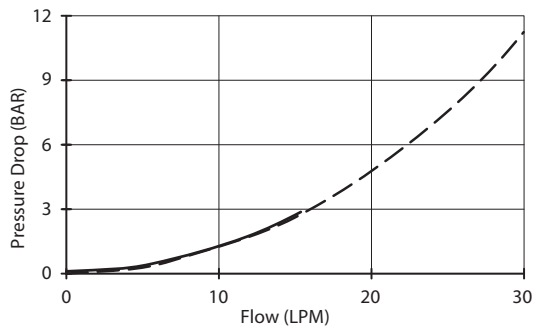
Manual override options available.

Features

- Hardened parts for long life.
- Efficient wet-armature construction.
- Cartridges are voltage interchangeable.
- Industry common cavity.
- Unitised, molded coil design.
- Continuous duty rated solenoid.
- Optional coil voltages and terminations.
- Optional "I" Coil: Weatherproof, Thermal, Shock, Immersion Safe.

Performance

32 cSt / 38°C.



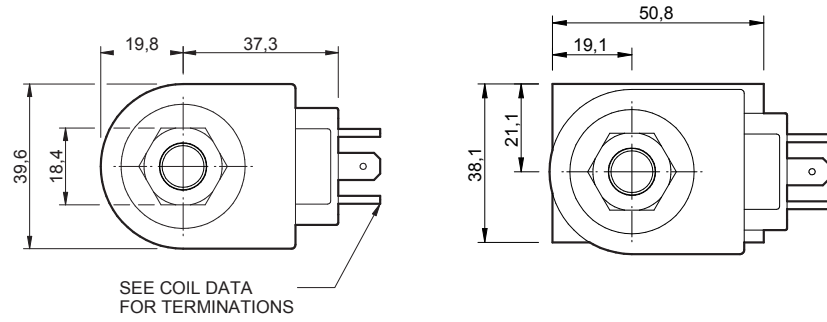
--- Port 1 to 2 (de-eng) ——— Port 2 to 1 (de-eng)

Specifications

Max. Flow (lpm)	30 (1 to 2) 15 (2 to 1)
Max. pressure (bar)	210
Internal Leakage (32 cSt)	0 to 82 cc/min at 210 bar
Hydraulic oil	General purpose hydraulic fluid
Viscosity Range	3 to 640 cSt
Filtration	ISO 18/16/13
Operating temp.	-40 to 120°C
Voltage	DC / AC (see coil data page Coil-D)
Cartridge Torque	41 Nm
Coil Nut Torque	5 to 8 Nm
Cavity	DE10-2 (see cavity data page DE10-2)
Spare Seal Kit (Viton)	SK-DDEVHD
Weight - Cartridge only	0.12 kg
Weight - Cartridge + Coil	0.45 kg
Weight - Cartridge + Coil + Body	0.68 kg (alum) 1.10 kg (steel)

Dimensions

[mm]



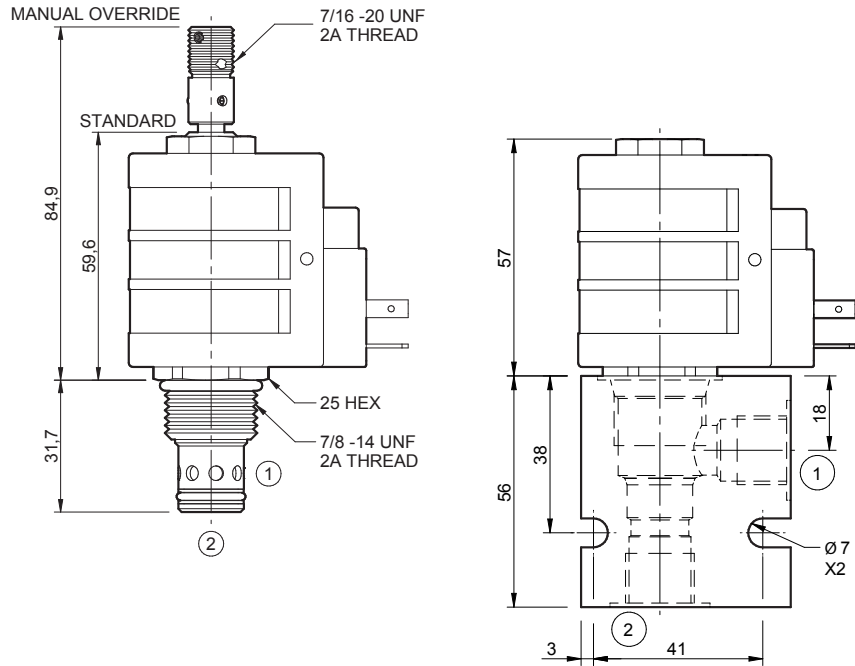
To Override

Detented Version

Pull & Twist

Non-Detented Version

Pull (spring return)



Coils can be fitted in any orientation.

Refer to data sheet **Coil-D** for coil options.

Ordering Code

D-DES2H

Options	Coil termination	Voltage	Port size (BSP)	No. of ports	Body material
00 - Nitrile	DL - Double lead	12 - 12 Vdc	B - 3/8"	2 - 2 ports	A - Aluminium
V0 - Viton	DS - Double spade	24 - 24 Vdc	C - 1/2"	Options - See page B-DDE	S - Steel
0M - Nitrile, overr., detent	HC - EN 175301-803*	48 - 48 Vdc	Options - See page B-DDE		
VM - Viton, overr., detent	CL - Conduit lead	25 - 24 Vac			
A0 - Nitrile, screen	'I' coils (12 & 24 volts only) weather/immersion proof (IP69)	11 - 110 Vac			
W0 - Viton, screen	IA - AMP superseal	23 - 250 Vac			
B1 - Nitrile, overr., non-detent	ID - Deutsch	Options - See page Coil-D			
V1 - Viton, overr., non-detent	IJ - AMP Jr. Timer	Omit if coil is not required			
B3 - Nitrile, screen, overr., non-detent	IM - Metripak				
V3 - Viton, screen, overr., non-detent	Options - See page Coil-D				
B4 - Nitrile, screen, overr., detent					
V4 - Viton, screen, overr., detent					

*Formerly DIN 43650 Hirschmann connector.