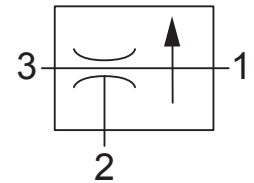


Up to 210 bar - 38 lpm

**Symbol**


This is fixed orifice, non-adjustable, pressure compensated, priority flow control typically used in fixed displacement hydraulic circuits where partial priority flow division is required. The valve will maintain a constant priority flow from (1) regardless of load pressure changes in this leg.

This valve allows bypass flow to be used for a secondary circuit although load pressures in this leg may slightly affect priority flow setting (see graphs). Bypass can also be directed to tank.

**Operation**

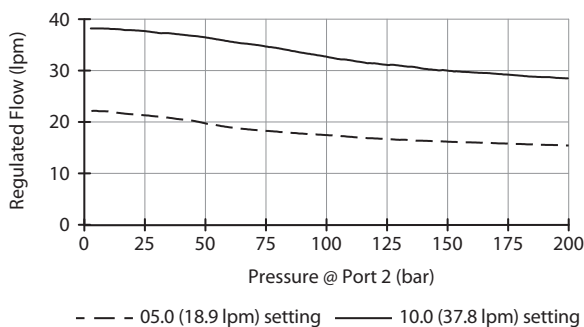
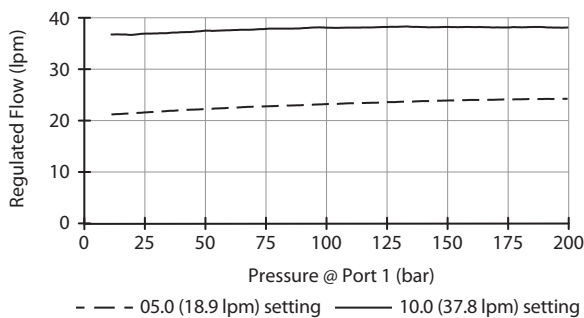
The D-DFFCP allows pressure compensated flow from (3) to (1) regulated by the pressure present at (3). Excess flow bypasses out (2). The spring chamber is constantly vented at (1).

**Features**

- Hardened parts for long life.
- Industry common cavity.

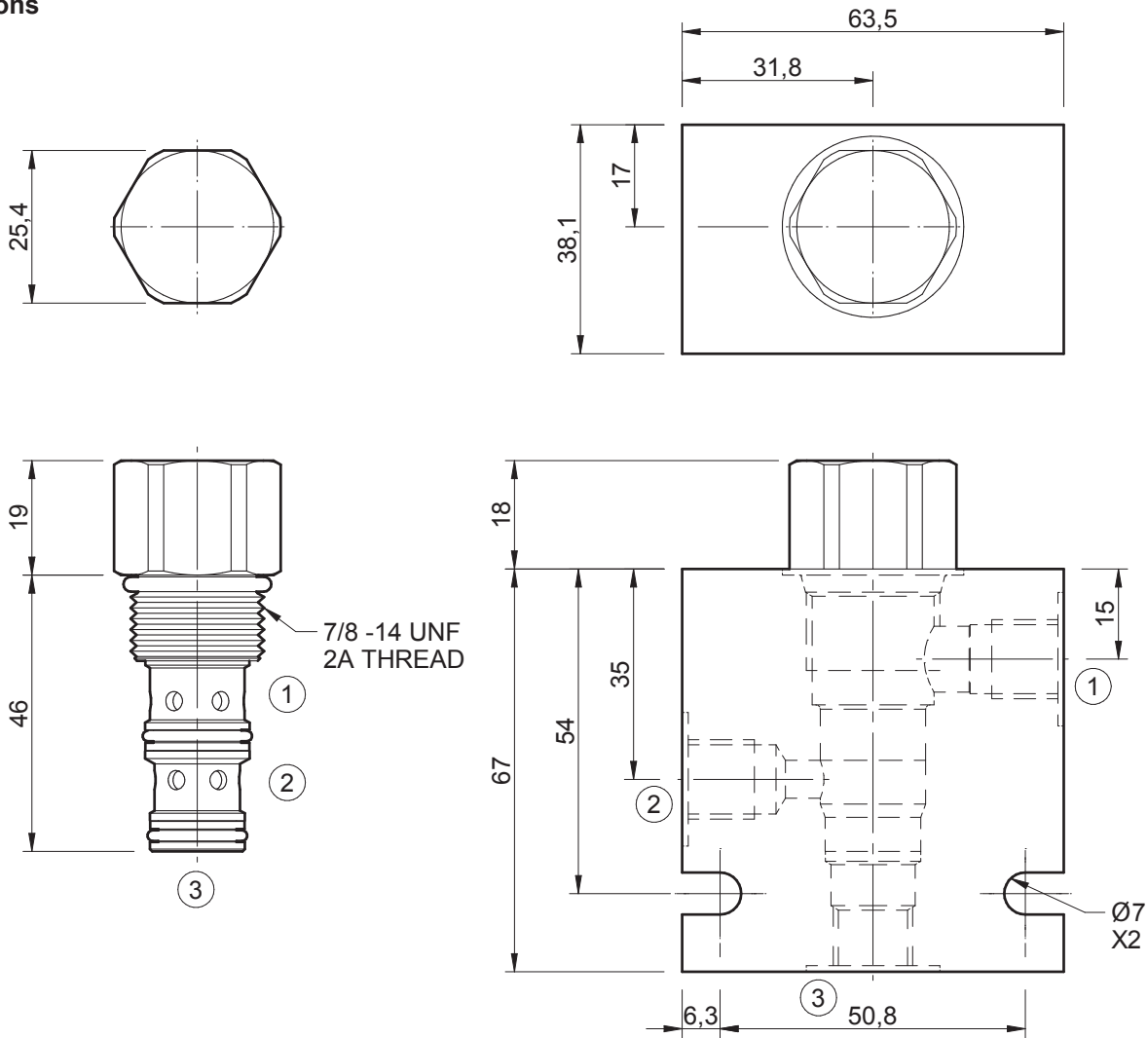
**Performance**

32 cSc / 38°C.


**Specifications**

Nom. Flow (lpm)	38
Max. Pressure (bar)	210
Hydraulic Oil	General purpose hydraulic fluid
Viscosity Range	3 to 640 cSt
Filtration	ISO 18/16/13
Operating Temp.	-40 to 120°C
Cartridge Torque	41 Nm
Cavity	DF10-3 (see cavity data page <b>CAV-DF10-3</b> )
Spare Seal Kit (Viton)	SK-DDFVHAA
Weight - Valve only	0.12 kg
Weight - Valve + Body	0.58 kg (alum) 1.44 kg (steel)

**Dimensions**  
[mm]



**Ordering Code**

**D-DFFCP**

