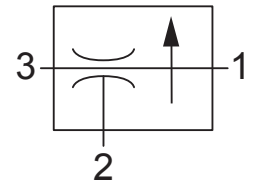


Up to 210 bar - 38 lpm

Symbol



This is an adjustable, pressure compensated, fixed orifice type, priority flow control which will maintain a constant priority flow from (1) regardless of load pressure changes in this leg. Once a pre-selected flow range is chosen, the valve can be tuned within this range. This valve allows bypass flow to be used for a secondary circuit although load pressures in this leg may slightly affect priority flow setting (see graphs). Bypass can also be directed to tank.

Operation

The D-DFFCQ allows pressure compensated flow from (3) to (1) regulated by the pressure present at (3). Excess flow bypasses out (2).

Adjustment

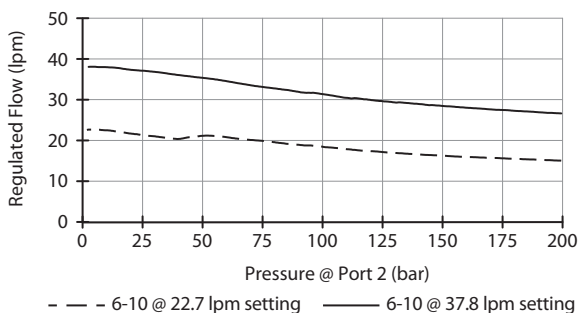
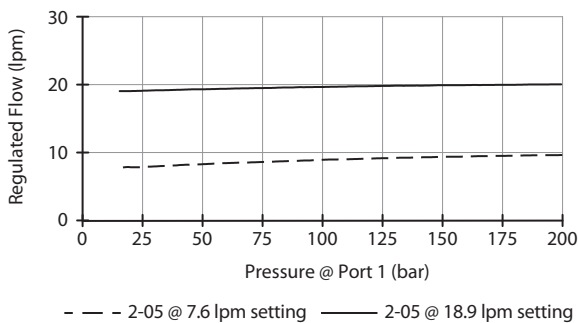
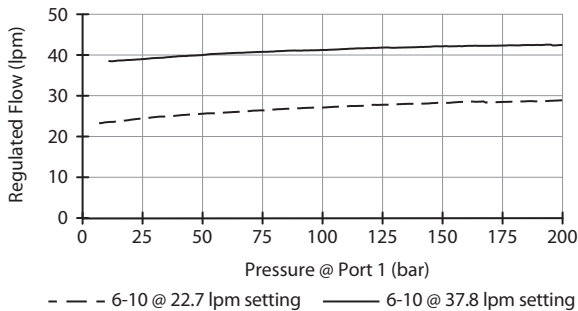
Turn to increase priority flow at port (1).

Features

- Hardened parts for long life.
- Industry common cavity.

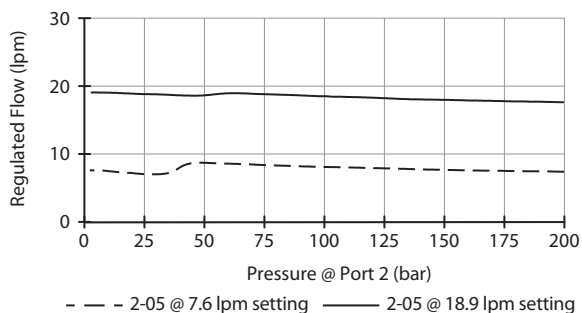
Performance

32 cSc / 38°C.

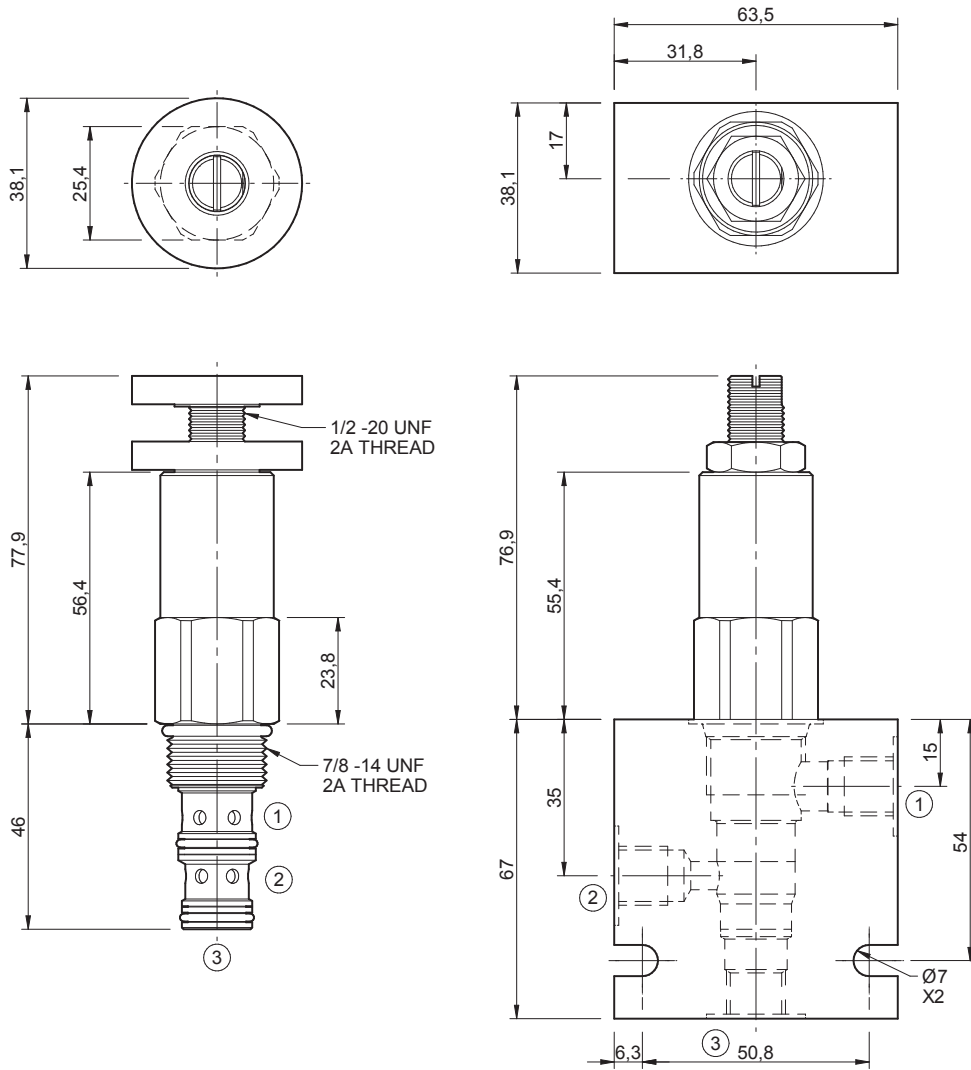


Specifications

Nom. Flow (lpm)	38
Max. Pressure (bar)	210
Hydraulic Oil	General purpose hydraulic fluid
Viscosity Range	3 to 640 cSt
Filtration	ISO 18/16/13
Operating Temp.	-40 to 120°C
Cartridge Torque	41 Nm
Cavity	DF10-3 (see cavity data page CAV-DF10-3)
Spare Seal Kit (Viton)	SK-DDFVHAA
Weight - Valve only	0.25 kg
Weight - Valve + Body	0.71 kg (alum) 1.57 kg (steel)



Dimensions
[mm]



Ordering Code

D-DFFCQ

**** **** * * ***

Options
00 - Nitrile
V0 - Viton
0K - Viton, Knob
VK - Viton, Knob

Flow Range
2-05 - 7.6 to 18.9 lpm
6-10 - 22.7 to 37.8 lpm

Port size (BSP)
A - 1/4"
B - 3/8"
Options - See page B-DDF

No. of ports
3 - 3 ports
Options - See page B-DDF

Body material
A - Aluminium
S - Steel
For pressures over 210 bar use steel.

Knob Part No.
PT-KN22020004