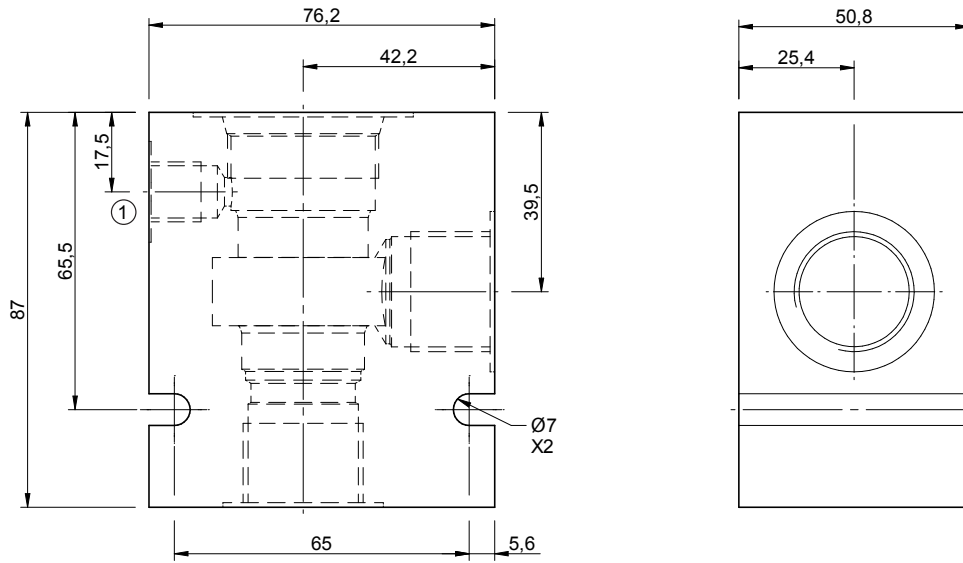


Cavity: CAV-SL16-3 (1 5/16 - 12 UNF).

**Dimensions**  
[mm]



**Ordering Code**

**B-DSL**

