

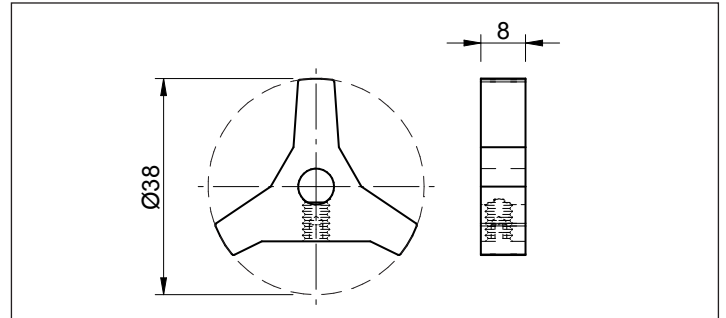
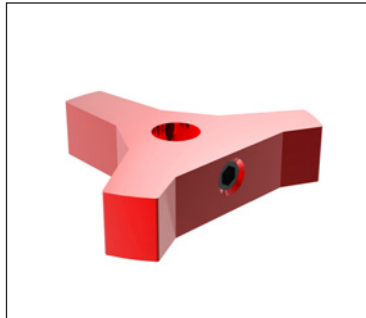
PT-KN22020080

Description:
Star Knob

To suit:
Various

Thread Size:
1/4 - 28 UNF

Material:
Aluminium (red)



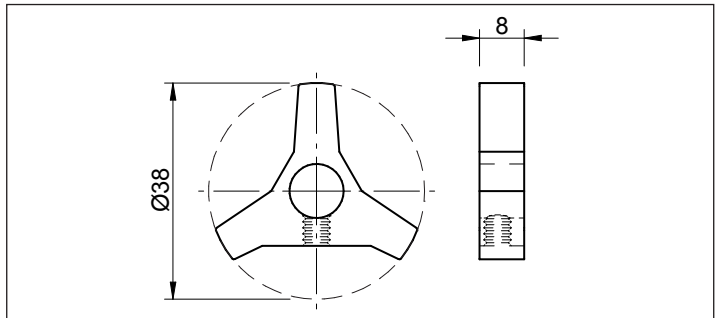
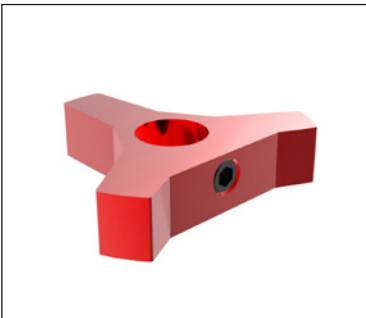
PT-KN22020058

Description:
Star Knob

To suit:
Various

Thread Size:
3/8 - 24 UNF

Material:
Aluminium (red)



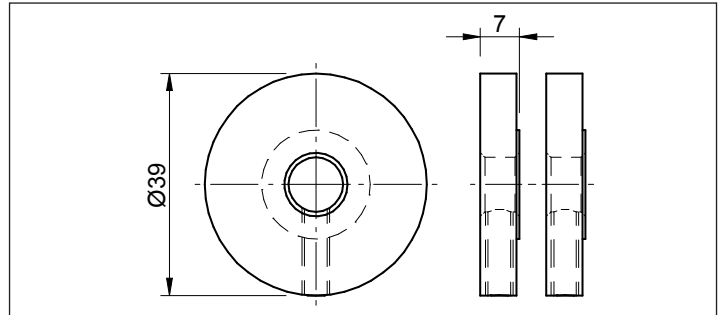
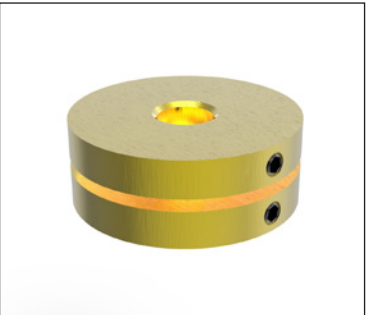
PT-KN22020049

Description:
Knob / locking ring

To suit:
Various

Thread Size:
3/8 - 24 UNF

Material:
Steel (plated)



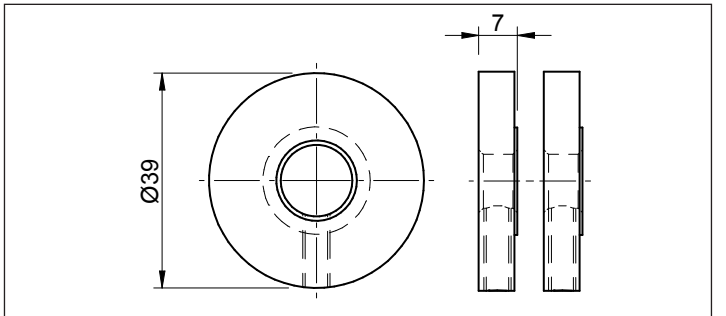
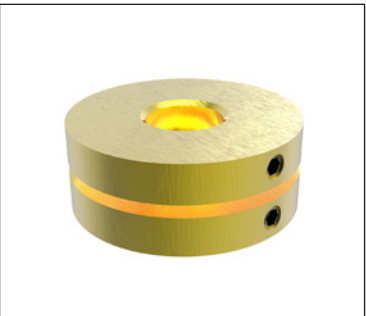
PT-KN22020004

Description:
Knob / locking ring

To suit:
Various

Thread Size:
1/2 - 20 UNF

Material:
Steel (plated)



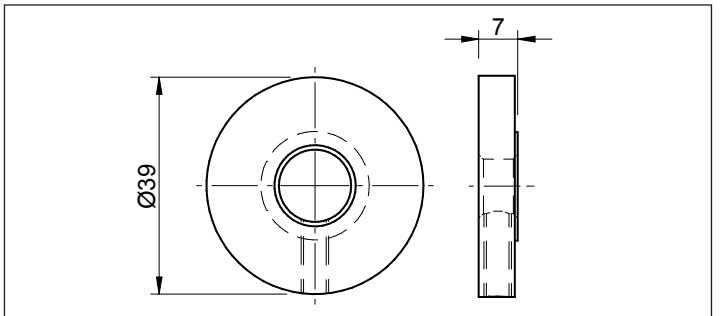
PT-KN22020257

Description:
Knob

To suit:
Various

Thread Size:
1/2 - 20 UNF

Material:
Steel (plated)



PT-KN34502024

Description:

Knob

To suit:

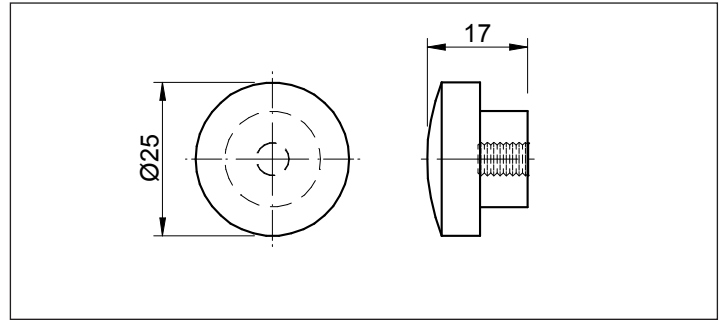
D-PBMCA

Thread Size:

1/4 - 18 UNF

Material:

Plastic



PT-KN22020005

Description:

Knob

To suit:

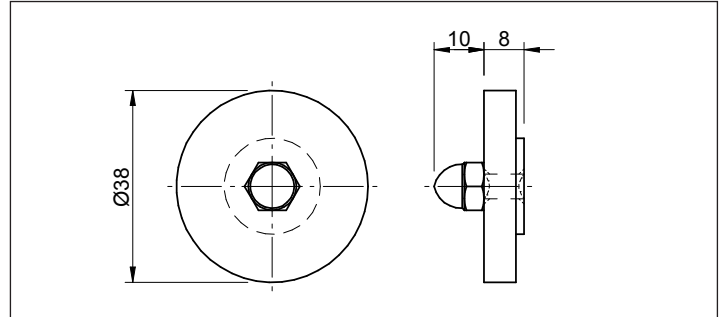
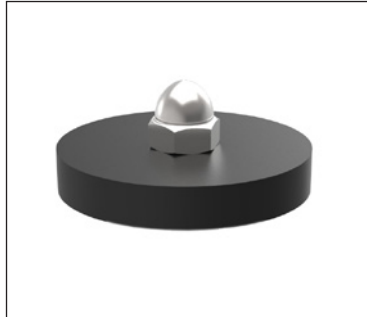
D-DENVA / FCH

Thread Size:

5/16 - 24 UNF

Material:

Aluminium (black)



PT-KN34502008

Description:

Knob

To suit:

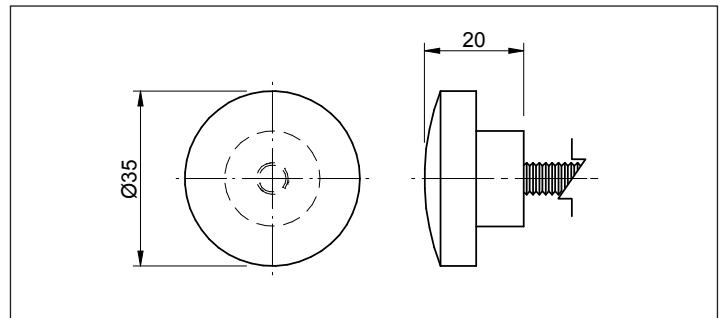
D-DEFCA

Thread Size:

1/4 - 20 UNF

Material:

Plastic



PT-KN34502000

Description:

Knob

To suit:

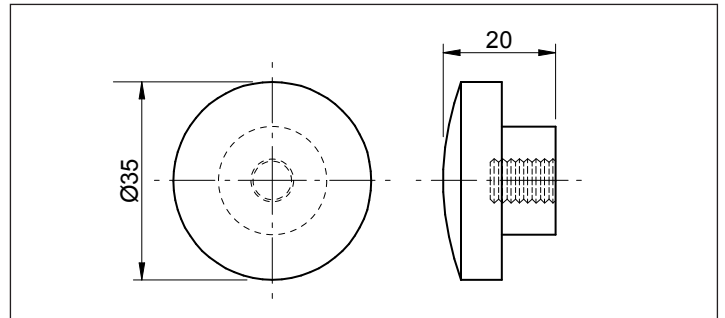
D-DEMCA/B/F/S

Thread Size:

5/16 - 18 UNF

Material:

Plastic



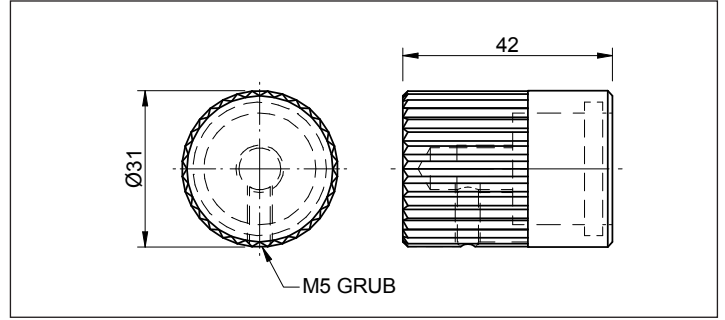
PT-KN0K001

Description:
Knurled Knob
 (with integral shaft seal)

To suit:
D-MANVA / D-MARVA
D-PBNVA / D-PBRV*
D-PBRW*

Thread Size:
3/8 - 24 UNF

Material:
Aluminium (red)



PT-KN0K010

Description:
Solenoid Manual
Override Pull Knob
 (for detent and non-detent valves).

To suit:
D-P* /D-D* / D-TT
D-SJ

Shaft Diameter:
11mm (nom)

Material:
Plastic (red)

